

**Air-Conditioners For Building Application
OUTDOOR UNIT****CE****PUHY-P-YJM-A (-BS)
PUHY-EP-YJM-A (-BS)****For use with R410A****INSTALLATION MANUAL**

For safe and correct use, please read this installation manual thoroughly before installing the air-conditioner unit.

INSTALLATIONSHANDBUCH

Zum sicheren und ordnungsgemäßen Gebrauch der Klimageräte das Installationshandbuch gründlich durchlesen.

MANUEL D'INSTALLATION

Veuillez lire le manuel d'installation en entier avant d'installer ce climatiseur pour éviter tout accident et vous assurer d'une utilisation correcte.

MANUAL DE INSTALACIÓN

Para un uso seguro y correcto, lea detalladamente este manual de instalación antes de montar la unidad de aire acondicionado.

MANUALE DI INSTALLAZIONE

Per un uso sicuro e corretto, leggere attentamente questo manuale di installazione prima di installare il condizionatore d'aria.

INSTALLATIEHANDLEIDING

Voor een veilig en juist gebruik moet u deze installatiehandleiding grondig doorlezen voordat u de airconditioner installeert.

MANUAL DE INSTALAÇÃO

Para segurança e utilização correctas, leia atentamente este manual de instalação antes de instalar a unidade de ar condicionado.

ΕΓΧΕΙΡΙΔΙΟ ΟΔΗΓΙΩΝ ΕΓΚΑΤΑΣΤΑΣΗΣ

Για ασφάλεια και σωστή χρήση, παρακαλείστε διαβάσετε προσεκτικά αυτό το εγχειρίδιο εγκατάστασης πριν αρχίσετε την εγκατάσταση της μονάδας κλιματισμού.

РУКОВОДСТВО ПО УСТАНОВКЕ

Для осторожного и правильного использования прибора необходимо тщательно ознакомиться с данным руководством по установке до выполнения установки кондиционера.

MONTAJ ELKİTABI

Emniyetli ve doğru biçimde nasıl kullanılacağını öğrenmek için lütfen klima cihazını monte etmeden önce bu elkitabını dikkatle okuyunuz.

安装手册

为了安全和正确使用本空调器，请在安装前仔细阅读本安装手册。

PŘÍRUČKA K INSTALACI

V zájmu bezpečného a správného používání si před instalací klimatizační jednotky důkladně přečtěte tuto příručku k instalaci.

NÁVOD NA INŠTALÁCIU

Pre bezpečné a správne použitie si pred inštalovaním klimatizačnej jednotky, prosím, starostlivo prečítajte tento návod na inštaláciu.

TELEPÍTÉSI KÉZIKÖNYV

A biztonságos és helyes használatához, kérjük, olvassa el alaposan ezt a telepítési kézikönyvet, mielőtt telepítené a légkondicionáló egységet.

PODRĘCZNIK INSTALACJI

W celu bezpiecznego i poprawnego korzystania należy przed zainstalowaniem klimatyzatora dokładnie zapoznać się z niniejszym podręcznikiem instalacji.

PRIROČNIK ZA NAMESTITEV

Za varno in pravilno uporabo pred namestitvijo klimatske naprave skrbno preberite priročnik za namestitev.

INSTALLATIONSHANDBOK

Läs den här installationshandboken noga innan luftkonditioneringsenheten installeras, för säker och korrekt användning.

PRIRUČNIK ZA UGRADNJU

Radi sigurne i ispravne uporabe, temeljito pročitajte ovaj priručnik prije ugradnje klimatizacijskog uređaja.

РЪКОВОДСТВО ЗА МОНТАЖ

За безопасна и правилна употреба, моля, прочетете внимателно това ръководство преди монтажа на климатизатора.

MANUAL CU INSTRUCȚIUNI DE INSTALARE

Pentru o utilizare corectă și sigură, vă rugăm să citiți cu atenție acest manual înainte de a instala unitatea de aer condiționat.

GB

D

F

E

I

NL

P

GR

RU

TR

#

CZ

SV

HG

PO

SL

SW

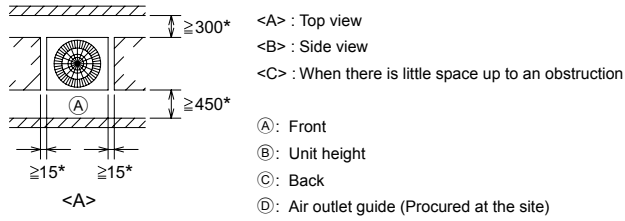
HR

BG

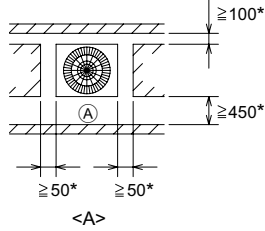
RO

[Fig. 6.0.1]

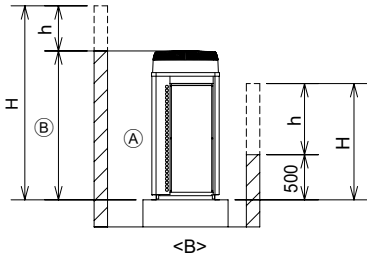
(1)



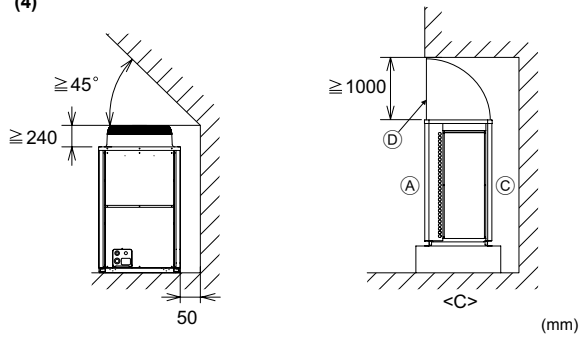
(2)



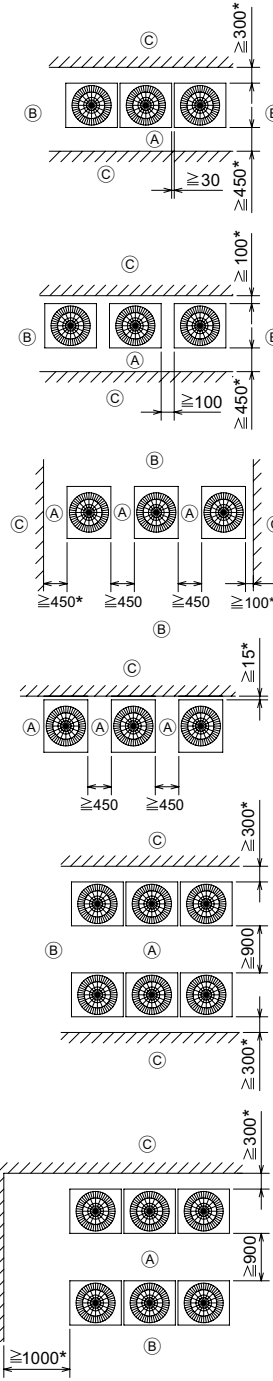
(3)



(4)



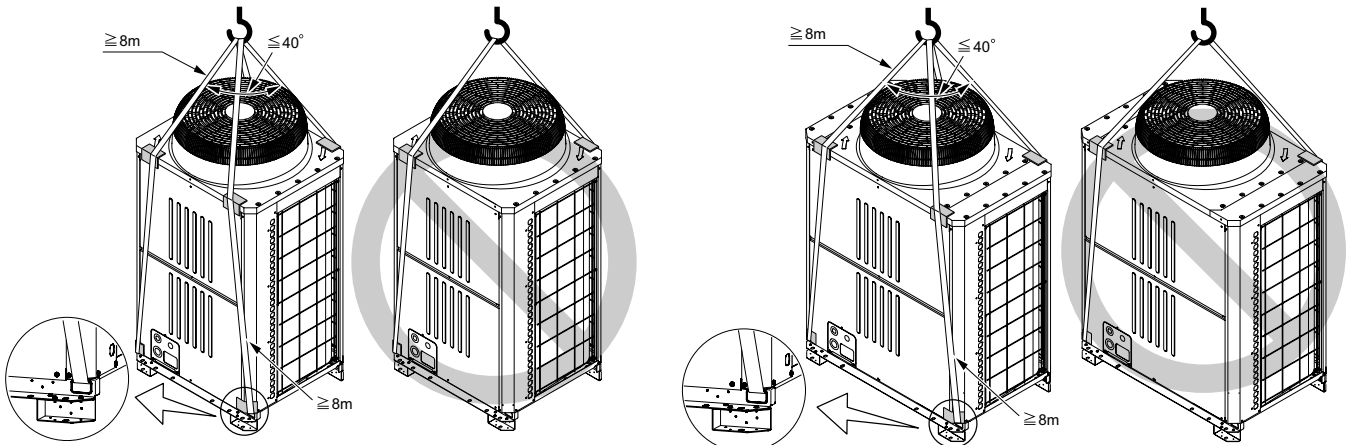
[Fig. 6.0.2]



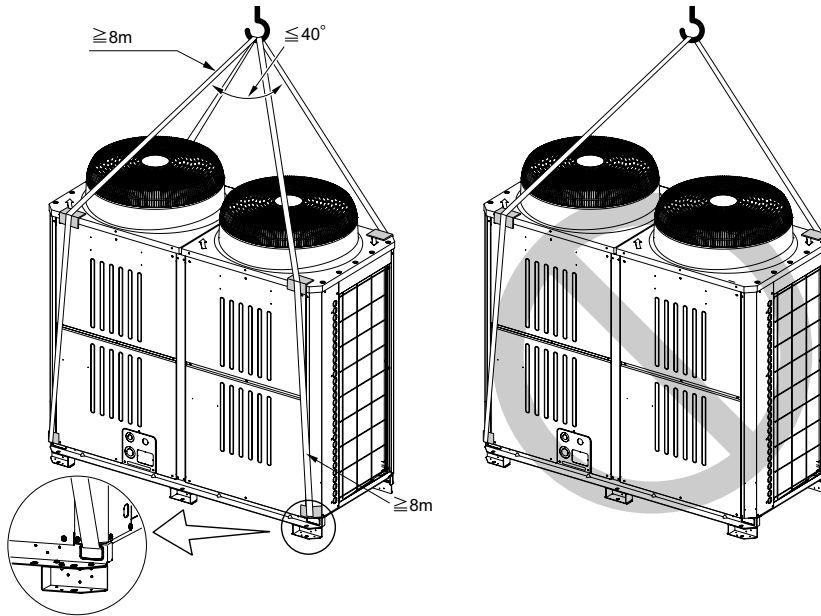
[Fig. 7.0.1]

① P200 ~ P300
EP200

② P350 ~ P400
EP250

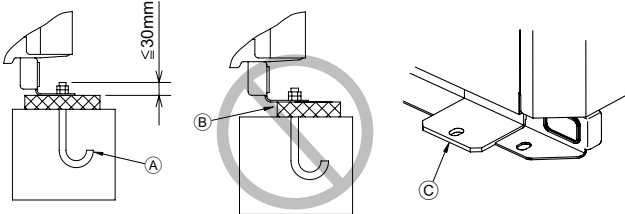


③ P450
EP300



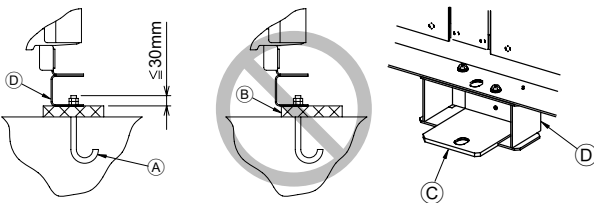
[Fig. 8.1.1]

<A> Without detachable leg

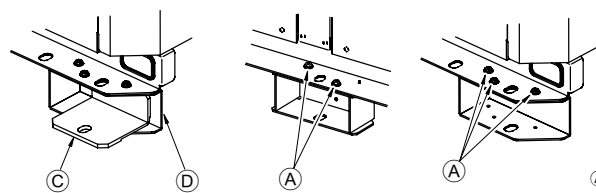


- (A): M10 anchor bolt procured at the site.
- (B): Corner is not seated.
- (C): Fixing bracket for hole-in anchor bolt (3 locations to fix with screws).
- (D): Detachable leg

 With detachable leg

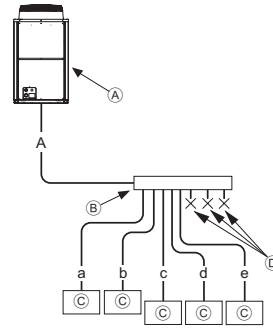
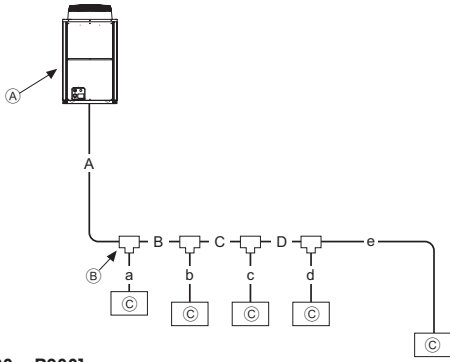


[Fig. 8.1.2]

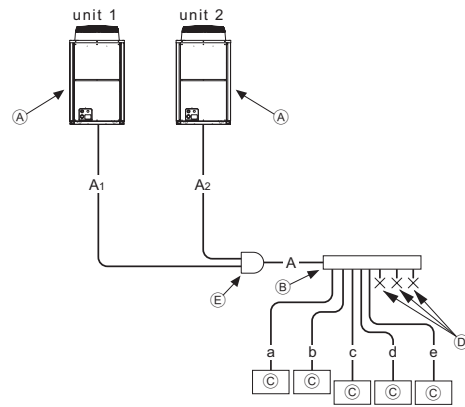
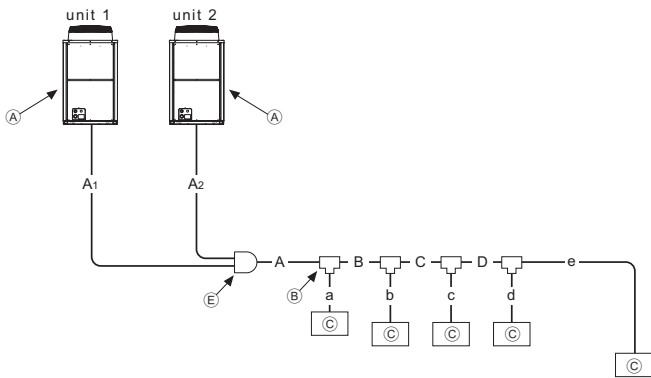


(A): Screws

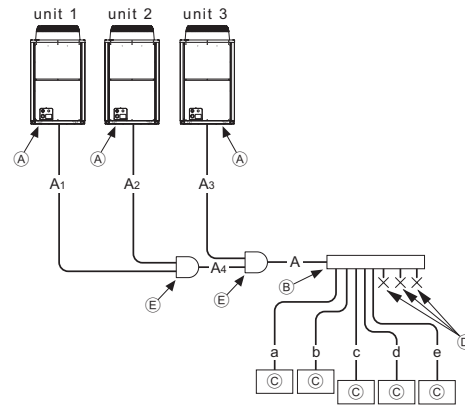
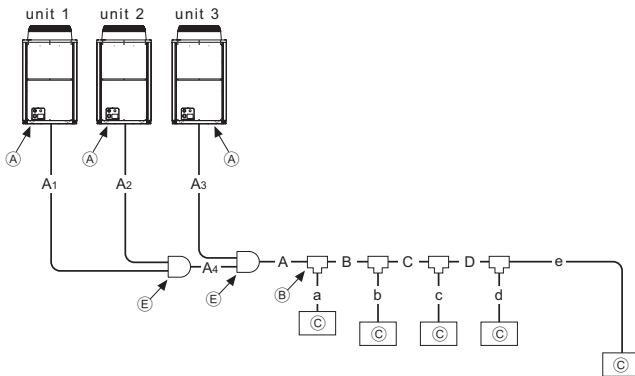
[Fig. 9.2.1]
[P200 ~ P450]
[EP200, EP250, EP300]



[P500 ~ P900]
[EP400 ~ EP600]



[P950 ~ P1250]
[EP650 ~ EP900]



- (A): Outdoor unit
- (B): First branch
- (C): Indoor unit
- (D): Cap
- (E): Outdoor twinning kit

A Outdoor model		Unit combination			A		A1 *3		A2 *3		A3 *3		A4	
		unit 1	unit 2	unit 3	B Liquid pipe	C Gas pipe	B Liquid pipe	C Gas pipe	B Liquid pipe	C Gas pipe	B Liquid pipe	C Gas pipe	B Liquid pipe	C Gas pipe
P200	YJM-A	-	-	-	ø9.52	ø19.05	-	-	-	-	-	-	-	-
P250	YJM-A	-	-	-	*1 ø9.52	ø22.2	-	-	-	-	-	-	-	-
P300	YJM-A	-	-	-	*2 ø9.52	ø22.2	-	-	-	-	-	-	-	-
P350	YJM-A	-	-	-	ø12.7	ø28.58	-	-	-	-	-	-	-	-
P400	YJM-A	-	-	-	ø12.7	ø28.58	-	-	-	-	-	-	-	-
P450	YJM-A	-	-	-	ø15.88	ø28.58	-	-	-	-	-	-	-	-
P500	YSJM-A	P250	P250	-	ø15.88	ø28.58	ø9.52	ø22.2	ø9.52	ø22.2	-	-	-	-
	YSJM-A1	P300	P200	-	ø15.88	ø28.58	ø12.7	ø22.2	ø9.52	ø19.05	-	-	-	-
P550	YSJM-A	P300	P250	-	ø15.88	ø28.58	ø12.7	ø22.2	ø9.52	ø22.2	-	-	-	-
P600	YSJM-A	P350	P250	-	ø15.88	ø28.58	ø12.7	ø28.58	ø9.52	ø22.2	-	-	-	-
	YSJM-A1	P300	P300	-	ø15.88	ø28.58	ø12.7	ø22.2	ø12.7	ø22.2	-	-	-	-
P650	YSJM-A	P350	P300	-	ø15.88	ø28.58	ø12.7	ø28.58	ø12.7	ø22.2	-	-	-	-
P700	YSJM-A	P350	P350	-	ø19.05	ø34.93	ø12.7	ø28.58	ø12.7	ø28.58	-	-	-	-
	YSJM-A1	P400	P300	-	ø19.05	ø34.93	ø15.88	ø28.58	ø12.7	ø22.2	-	-	-	-
P750	YSJM-A	P400	P350	-	ø19.05	ø34.93	ø15.88	ø28.58	ø12.7	ø28.58	-	-	-	-
P800	YSJM-A	P450	P350	-	ø19.05	ø34.93	ø15.88	ø28.58	ø12.7	ø28.58	-	-	-	-
	YSJM-A1	P400	P400	-	ø19.05	ø34.93	ø15.88	ø28.58	ø15.88	ø28.58	-	-	-	-
P850	YSJM-A	P450	P400	-	ø19.05	ø41.28	ø15.88	ø28.58	ø15.88	ø28.58	-	-	-	-
P900	YSJM-A	P450	P450	-	ø19.05	ø41.28	ø15.88	ø28.58	ø15.88	ø28.58	-	-	-	-
P950	YSJM-A	P400	P300	P250	ø19.05	ø41.28	ø15.88	ø28.58	ø12.7	ø22.2	ø9.52	ø22.2	ø19.05	ø34.93
P1000	YSJM-A	P400	P300	P300	ø19.05	ø41.28	ø15.88	ø28.58	ø12.7	ø22.2	ø12.7	ø22.2	ø19.05	ø34.93
P1050	YSJM-A	P400	P350	P300	ø19.05	ø41.28	ø15.88	ø28.58	ø12.7	ø28.58	ø12.7	ø22.2	ø19.05	ø34.93
P1100	YSJM-A	P400	P350	P350	ø19.05	ø41.28	ø15.88	ø28.58	ø12.7	ø28.58	ø12.7	ø28.58	ø19.05	ø34.93
P1150	YSJM-A	P450	P350	P350	ø19.05	ø41.28	ø15.88	ø28.58	ø12.7	ø28.58	ø12.7	ø28.58	ø19.05	ø34.93
P1200	YSJM-A	P450	P400	P350	ø19.05	ø41.28	ø15.88	ø28.58	ø15.88	ø28.58	ø12.7	ø28.58	ø19.05	ø34.93
P1250	YSJM-A	P450	P450	P350	ø19.05	ø41.28	ø15.88	ø28.58	ø15.88	ø28.58	ø12.7	ø28.58	ø19.05	ø34.93
EP200	YJM-A	-	-	-	ø9.52	ø19.05	-	-	-	-	-	-	-	-
EP250	YJM-A	-	-	-	*1 ø9.52	ø22.2	-	-	-	-	-	-	-	-
EP300	YJM-A	-	-	-	*2 ø9.52	ø22.2	-	-	-	-	-	-	-	-
EP400	YSJM-A	EP200	EP200	-	ø12.7	ø28.58	ø9.52	ø19.05	ø9.52	ø19.05	-	-	-	-
EP450	YSJM-A	EP250	EP200	-	ø15.88	ø28.58	ø9.52	ø22.2	ø9.52	ø19.05	-	-	-	-
EP500	YSJM-A	EP300	EP200	-	ø15.88	ø28.58	ø12.7	ø22.2	ø9.52	ø19.05	-	-	-	-
	YSJM-A1	EP250	EP250	-	ø15.88	ø28.58	ø9.52	ø22.2	ø9.52	ø22.2	-	-	-	-
EP550	YSJM-A	EP300	EP250	-	ø15.88	ø28.58	ø12.7	ø22.2	ø9.52	ø22.2	-	-	-	-
EP600	YSJM-A	EP300	EP300	-	ø15.88	ø28.58	ø12.7	ø22.2	ø12.7	ø22.2	-	-	-	-
EP650	YSJM-A	EP250	EP200	EP200	ø15.88	ø28.58	ø9.52	ø22.2	ø9.52	ø19.05	ø9.52	ø19.05	ø19.05	ø34.93
	YSJM-A	EP300	EP200	EP200	ø19.05	ø34.93	ø12.7	ø22.2	ø9.52	ø19.05	ø9.52	ø19.05	ø19.05	ø34.93
	YSJM-A1	EP250	EP250	EP200	ø19.05	ø34.93	ø9.52	ø22.2	ø9.52	ø22.2	ø9.52	ø19.05	ø19.05	ø34.93
EP750	YSJM-A	EP300	EP250	EP200	ø19.05	ø34.93	ø12.7	ø22.2	ø9.52	ø22.2	ø9.52	ø19.05	ø19.05	ø34.93
	YSJM-A1	EP250	EP250	EP250	ø19.05	ø34.93	ø9.52	ø22.2	ø9.52	ø22.2	ø9.52	ø22.2	ø19.05	ø34.93
	YSJM-A1	EP250	EP250	EP250	ø19.05	ø34.93	ø9.52	ø22.2	ø9.52	ø22.2	ø9.52	ø22.2	ø19.05	ø34.93
EP800	YSJM-A	EP300	EP300	EP200	ø19.05	ø34.93	ø12.7	ø22.2	ø12.7	ø22.2	ø9.52	ø19.05	ø19.05	ø34.93
	YSJM-A1	EP300	EP250	EP250	ø19.05	ø34.93	ø12.7	ø22.2	ø9.52	ø22.2	ø9.52	ø22.2	ø19.05	ø34.93
EP850	YSJM-A	EP300	EP300	EP250	ø19.05	ø41.28	ø12.7	ø22.2	ø12.7	ø22.2	ø9.52	ø22.2	ø19.05	ø34.93
EP900	YSJM-A	EP300	EP300	EP300	ø19.05	ø41.28	ø12.7	ø22.2	ø12.7	ø22.2	ø12.7	ø22.2	ø19.05	ø34.93

*1 ø12.7 for over 90m

*2 ø12.7 for over 40m

*3 The pipe sizes listed in columns A1 to A3 in this table correspond to the sizes for the models listed in the unit 1, 2, and 3 columns. When the order of the models for unit 1, 2, and 3 change, make sure to use the appropriate pipe size.

B, C, D (mm)

D Total capacity of indoor units	B Liquid pipe	C Gas pipe
~ 140	ø9.52	ø15.88
141 ~ 200	ø9.52	ø19.05
201 ~ 300	ø9.52	ø22.2
301 ~ 400	ø12.7	ø28.58
401 ~ 650	ø15.88	ø28.58
651 ~ 800	ø19.05	ø34.93
801 ~	ø19.05	ø41.28

a, b, c, d, e (mm)

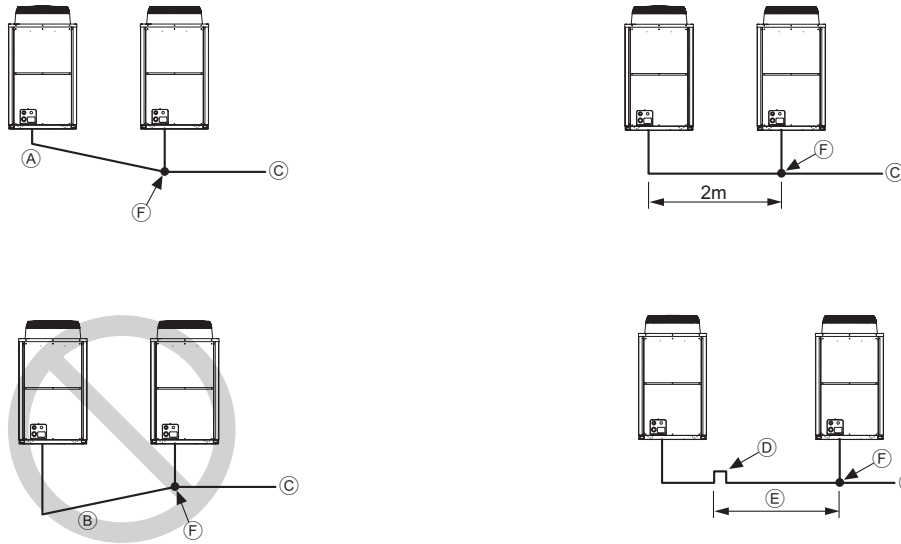
E Model number	B Liquid pipe	C Gas pipe
20,25,32,40,50	ø6.35	ø12.7
63,71,80,100,125,140	ø9.52	ø15.88
200	ø9.52	ø19.05
250	ø9.52	ø22.2

F Downstream unit model total	G Joint
~ 200	CMY-Y102S-G2
201 ~ 400	CMY-Y102L-G2
401 ~ 650	CMY-Y202-G2
H The 1st branch of P450 ~ P650	
651 ~	CMY-Y302-G2
I The 1st branch of P700, P750, P800	

J 4-Branching header (Downstream unit model total ≤ 200)	K 8-Branching header (Downstream unit model total ≤ 400)	L 10-Branching header (Downstream unit model total ≤ 650)
CMY-Y104-G	CMY-Y108-G	CMY-Y1010-G

A Outdoor model	M Outdoor twinning kit
P500 ~ P650 EP400 ~ EP600	CMY-Y100VBK2
P700 ~ P900	CMY-Y200VBK2
P950 ~ P1250 EP650 ~ EP900	CMY-Y300VBK2

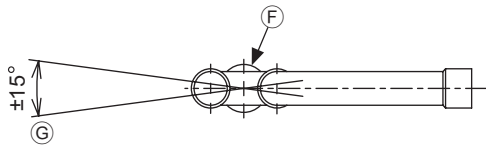
[Fig. 9.2.2]



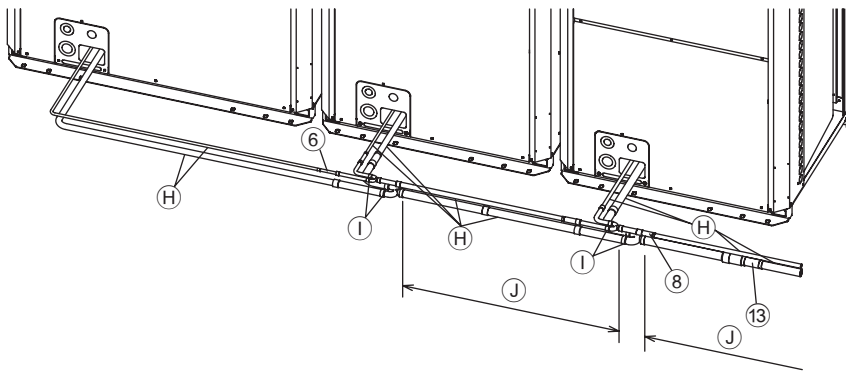
<A> Make sure the pipes from the twinning pipe to the outdoor unit are sloped downwards (towards the twinning pipes).

 When the piping on the outdoor unit side (from the twinning pipe) exceeds 2 m, ensure a trap (gas pipe only) within 2 m.

<C> Slope of twinning pipes



<D> Pipe connection example [EP650]

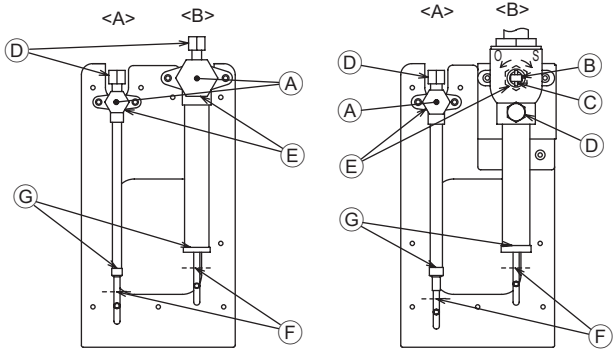


- (A): Downward slope
- (B): Upward slope
- (C): Indoor unit
- (D): Trap (gas pipe only)
- (E): Within 2 m
- (F): Twinning pipe
- (G): Slope of the twinning pipe is at an angle within $\pm 15^\circ$ to the ground
- (H): Pipes on site
- (I): Twinning kit
- (J): Straight run of pipe that is 500 mm or more
- (6): OD ϕ 12.7×ID ϕ 9.52 (Included with outdoor unit)
- (8): OD ϕ 19.05×ID ϕ 15.88 (Included with outdoor unit)
- (13): OD ϕ 34.93×ID ϕ 28.58 (Included with outdoor unit)
- (6, 8, 13): Refer to item 10.2

[Fig. 10.2.1]

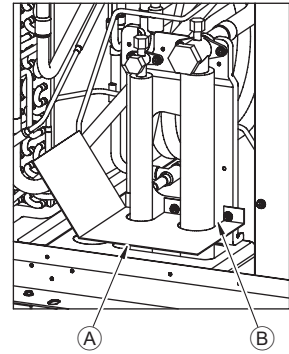
P200~P400
EP200,EP250

P450
EP300



- <A> Refrigerant service valve (liquid side/brazed type)
- Refrigerant service valve (gas side/brazed type)
- A: Shaft
- B: Shaft
- C: Stopper pin
- D: Service port
- E: Cap
- F: Pinched connecting pipe severing portion
- G: Pinched connecting pipe brazing portion

[Fig. 10.2.3]

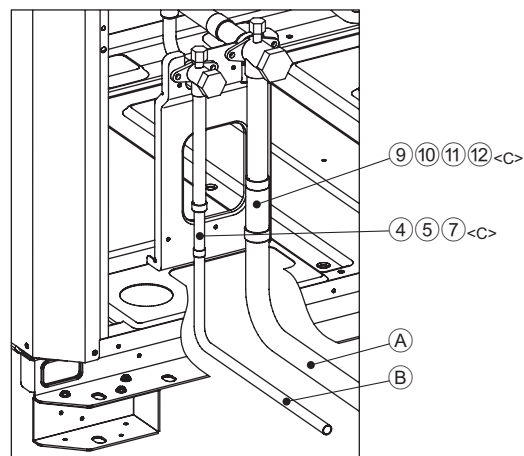
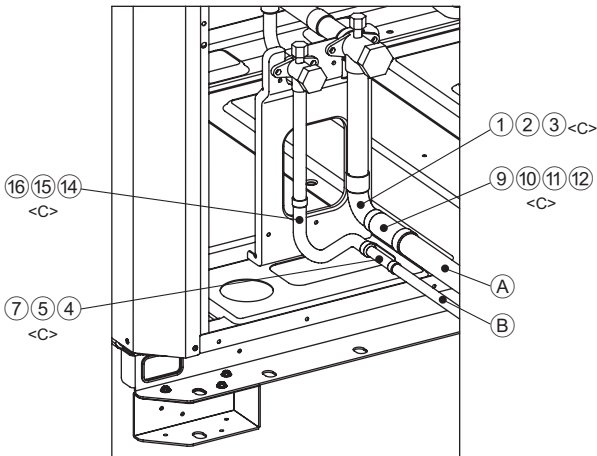


- A: Example of closure materials (field supply)
- B: Fill the gap at the site

[Fig. 10.2.2]

<A> Front pipe routing

 Bottom pipe routing



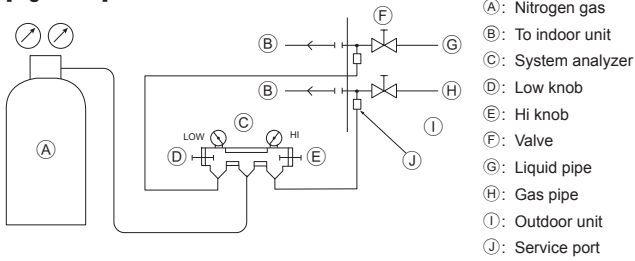
No.	①		③		⑤		⑦		⑨		⑪		⑬		⑮	
C Shape																
	<Gas side>		<Gas side>		<Liquid side>		<Liquid side>		<Gas side>		<Gas side>		<Gas side>		<Liquid side>	
No.	②		④		⑥		⑧		⑩		⑫		⑭		⑯	
C Shape																
	<Gas side>		<Liquid side>		<Liquid side>		<Liquid side>		<Gas side>		<Gas side>		<Liquid side>		<Liquid side>	
	①	②	③	④	⑤	⑥	⑦	⑧	⑨	⑩	⑪	⑫	⑬	⑭	⑮	⑯
P200	1													1		
P250		1								1				1		
P300		1		1						1					1	
P350		1					1					1				1
P400		1					1					1				1
P450			1													1
EP200		1							1				1			
EP250		1			1	1	1	1		1			1	1		1
EP300			1		1		1					1				1

- <A> Front pipe routing
- Bottom pipe routing
- <C> Included with outdoor unit
- A Gas pipe (field supply required)
- B Liquid pipe (field supply required)
- C Shape

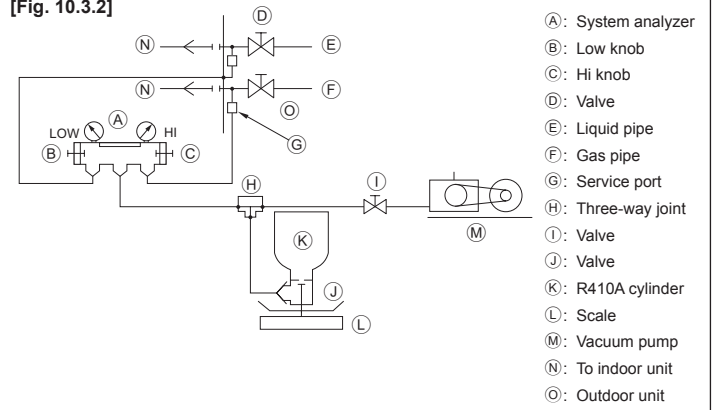
*4: EP650YSJM-A : Use the included connecting pipe ⑥ , ⑧ , and ⑬ to connect to the twinning kit.
 *5: EP700YSJM-A1 : Use the included connecting pipe ⑥ to connect to the twinning kit.
 *6: EP750YSJM-A1 : Use the included connecting pipe ⑥ to connect to the twinning kit.
 (*4 ~ *6 : Refer to item 9.2.)

10.3

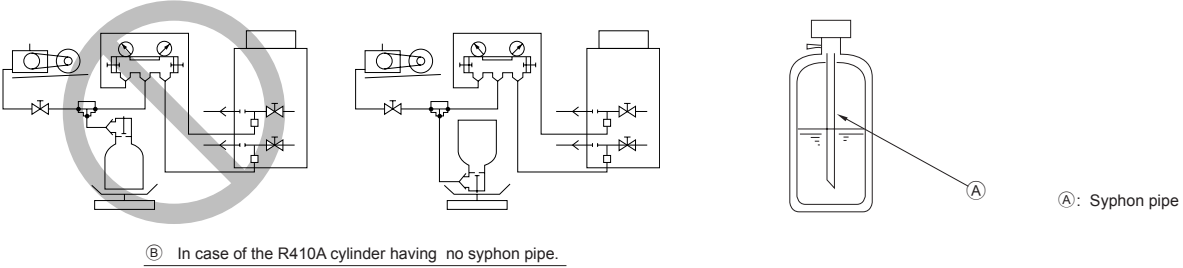
[Fig. 10.3.1]



[Fig. 10.3.2]

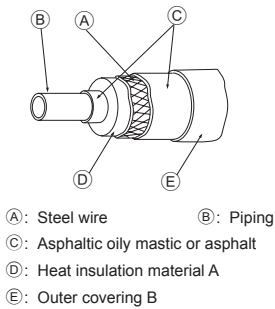


[Fig. 10.3.3]

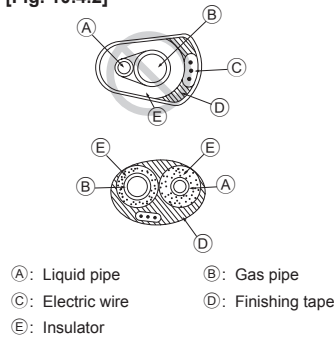


10.4

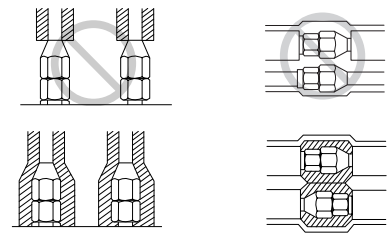
[Fig. 10.4.1]



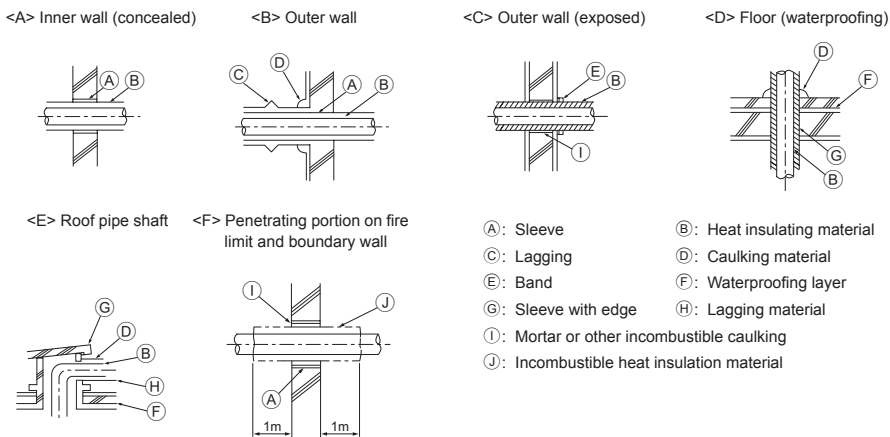
[Fig. 10.4.2]



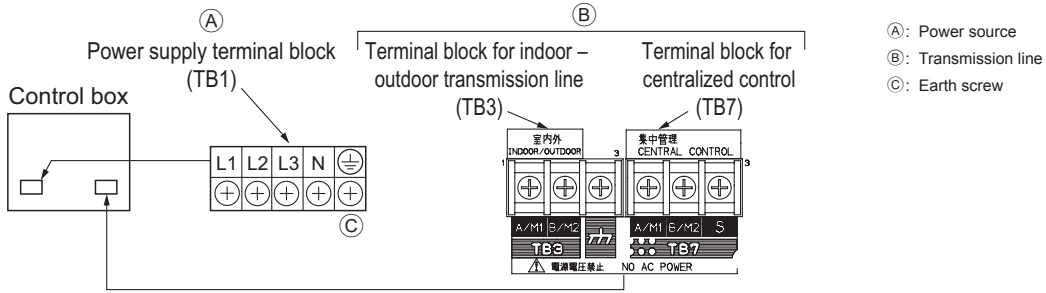
[Fig. 10.4.3]



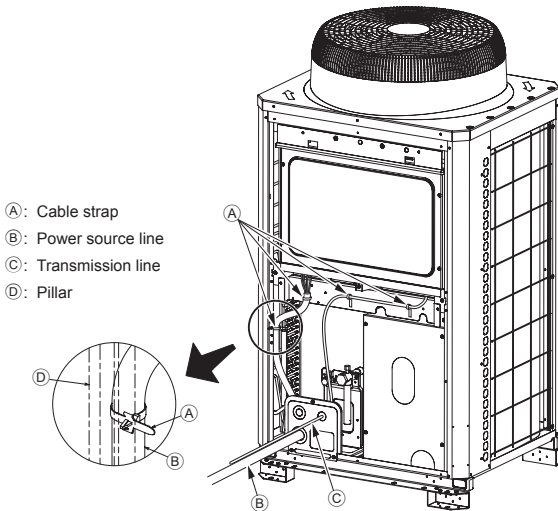
[Fig. 10.4.4]



[Fig. 11.2.1]

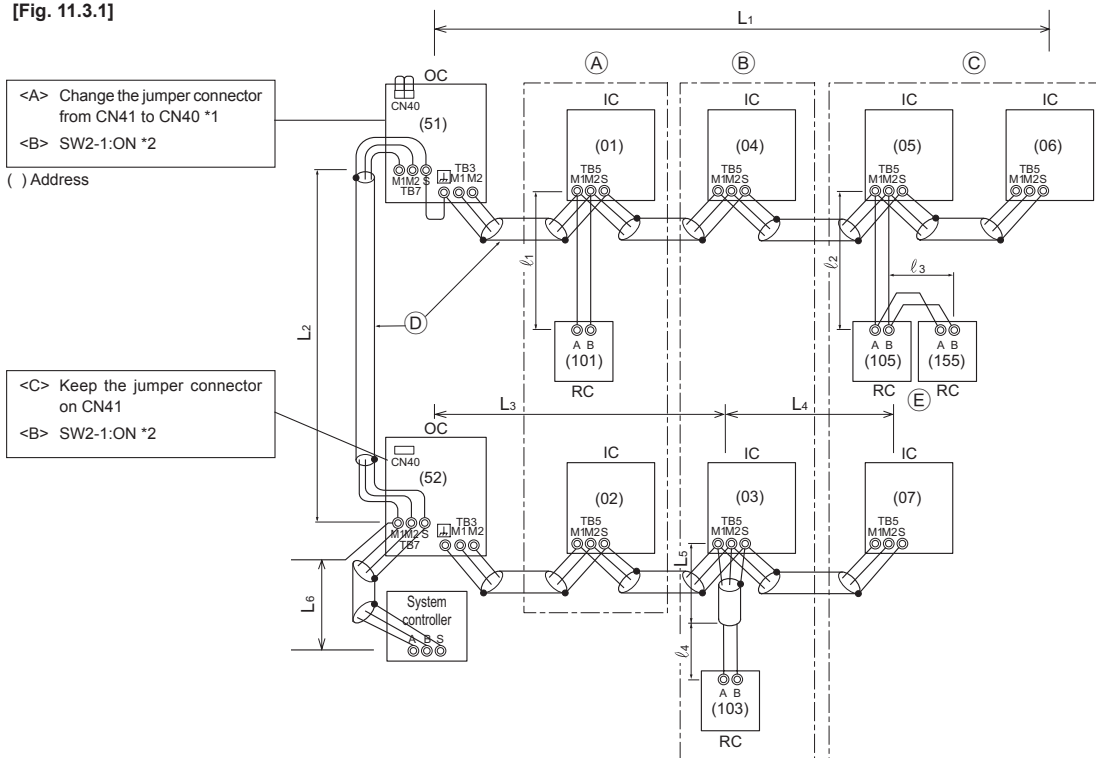


[Fig. 11.2.2]



11.3

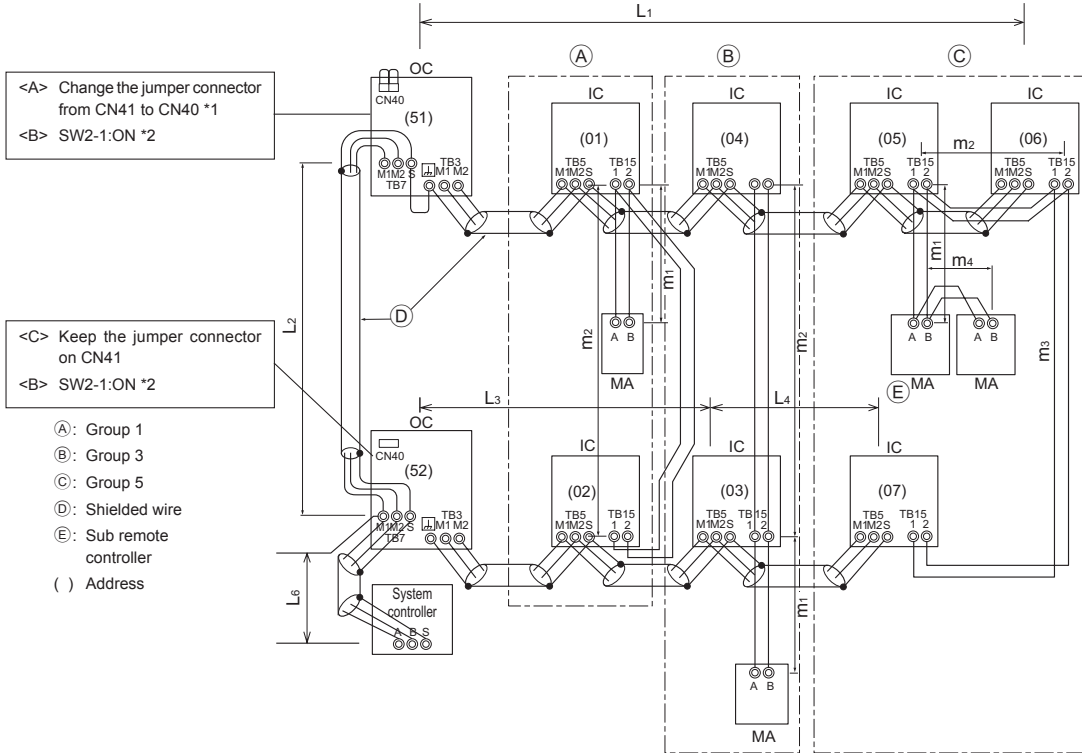
[Fig. 11.3.1]



*1: When the power supply unit is not connected to the transmission line for centralized control, disconnect the male power supply connector (CN41) from ONE outdoor unit in the system and connect it to CN40.

*2: If a system controller is used, set SW2-1 on all of the outdoor units to ON.

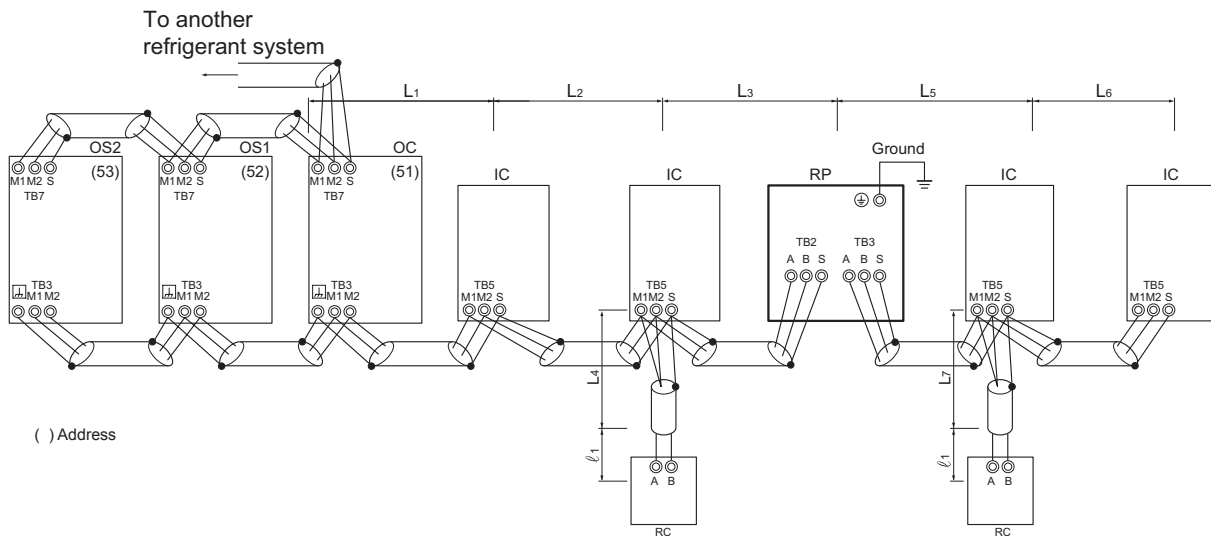
[Fig. 11.3.2]



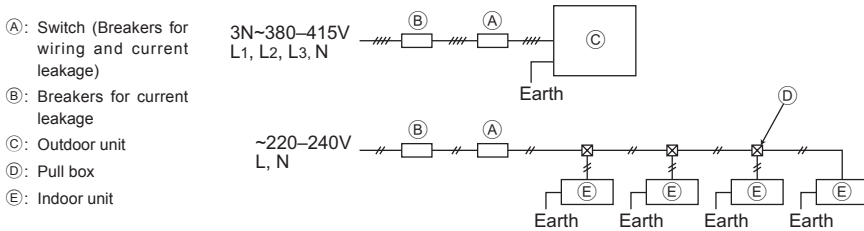
*1: When the power supply unit is not connected to the transmission line for centralized control, disconnect the male power supply connector (CN41) from ONE outdoor unit in the system and connect it to CN40.

*2: If a system controller is used, set SW2-1 on all of the outdoor units to ON.

[Fig. 11.3.3]



[Fig. 11.4.1]



Contents


1. Safety precautions	11	10. Additional refrigerant charge	16
1.1. Before installation and electric work	11	10.1. Calculation of additional refrigerant charge	16
1.2. Precautions for devices that use R410A refrigerant	12	10.2. Precautions concerning piping connection and valve operation	17
1.3. Before installation	12	10.3. Airtight test, evacuation, and refrigerant charging	18
1.4. Before installation (relocation) - electrical work	12	10.4. Thermal insulation of refrigerant piping	18
1.5. Before starting the test run	12	11. Wiring (For details, refer to the installation manual of each unit and controller)	19
2. About the product	12	11.1. Caution	19
3. Combination of outdoor units	13	11.2. Control box and connecting position of wiring	19
4. Specifications	13	11.3. Wiring transmission cables	19
5. Confirmation of parts attached	14	11.4. Wiring of main power supply and equipment capacity	21
6. Space required around unit	14	12. Test run	22
7. Lifting method	14	12.1. The following phenomena do not represent faults	22
8. Installation of unit	15	13. Information on rating plate	22
8.1. Installation	15		
9. Refrigerant piping installation	15		
9.1. Caution	15		
9.2. Refrigerant piping system	16		


1. Safety precautions

1.1. Before installation and electric work





- ▶ Before installing the unit, make sure you read all the "Safety precautions".
- ▶ The "Safety precautions" provide very important points regarding safety. Make sure you follow them.

Symbols used in the text

 **Warning:**
Describes precautions that should be observed to prevent danger of injury or death to the user.

 **Caution:**
Describes precautions that should be observed to prevent damage to the unit.

Symbols used in the illustrations

-  : Indicates an action that must be avoided.
-  : Indicates that important instructions must be followed.
-  : Indicates a part which must be grounded.
-  : Beware of electric shock. (This symbol is displayed on the main unit label.) <Color: yellow>

-  **Warning:**
Carefully read the labels affixed to the main unit.

HIGH VOLTAGE WARNING:

- Control box houses high-voltage parts.
- When opening or closing the front panel of the control box, do not let it come into contact with any of the internal components.
- Before inspecting the inside of the control box, turn off the power, keep the unit off for at least 10 minutes, and confirm that the voltage between FT-P and FT-N on INV Board has dropped to DC20V or less. (It takes about 10 minutes to discharge electricity after the power supply is turned off.)

Warning:

- Ask the dealer or an authorized technician to install the air conditioner.
 - Improper installation by the user may result in water leakage, electric shock, or fire.
- This appliance is not intended for use by persons (including children) with reduced physical, sensory or mental capabilities, or lack of experience and knowledge, unless they have been given supervision or instruction concerning use of the appliance by a person responsible for their safety.
- Install the unit at a place that can withstand its weight.
 - Failure to do so may cause the unit to fall down, resulting in injuries and damage to the unit.
- Use the specified cables for wiring. Make the connections securely so that the outside force of the cable is not applied to the terminals.
 - Inadequate connection and fastening may generate heat and cause a fire.
- Prepare for strong winds and earthquakes and install the unit at the specified place.
 - Improper installation may cause the unit to topple and result in injury and damage to the unit.
- Always use filters and other accessories specified by Mitsubishi Electric.
 - Ask an authorized technician to install the accessories. Improper installation by the user may result in water leakage, electric shock, or fire.

- Never repair the unit. If the air conditioner must be repaired, consult the dealer.
 - If the unit is repaired improperly, water leakage, electric shock, or fire may result.
- If the supply cord is damaged, it must be replaced by the manufacturer, its service agent or similarly qualified persons in order to avoid a hazard.
- Do not touch the heat exchanger fins.
 - Improper handling may result in injury.
- If refrigerant gas leaks during installation work, ventilate the room.
 - If the refrigerant gas comes into contact with a flame, poisonous gases will be released.
- Install the air conditioner according to this Installation Manual.
 - If the unit is installed improperly, water leakage, electric shock, or fire may result.
- Have all electric work done by a licensed electrician according to "Electric Facility Engineering Standard" and "Interior Wire Regulations" and the instructions given in this manual and always use a dedicated power supply.
 - If the power source capacity is inadequate or electric work is performed improperly, electric shock and fire may result.
- Securely install the outdoor unit terminal cover (panel).
 - If the terminal cover (panel) is not installed properly, dust or water may enter the outdoor unit and fire or electric shock may result.
- When installing and moving the air conditioner to another site, do not charge it with a refrigerant different from the refrigerant specified on the unit.
 - If a different refrigerant or air is mixed with the original refrigerant, the refrigerant cycle may malfunction and the unit may be damaged.
- If the air conditioner is installed in a small room, measures must be taken to prevent the refrigerant concentration from exceeding the safety limit if the refrigerant should leak.
 - Consult the dealer regarding the appropriate measures to prevent the safety limit from being exceeded. Should the refrigerant leak and cause the safety limit to be exceeded, hazards due to lack of oxygen in the room could result.
- When moving and reinstalling the air conditioner, consult the dealer or an authorized technician.
 - If the air conditioner is installed improperly, water leakage, electric shock, or fire may result.
- After completing installation work, make sure that refrigerant gas is not leaking.
 - If the refrigerant gas leaks and is exposed to a fan heater, stove, oven, or other heat source, it may generate noxious gases.
- Do not reconstruct or change the settings of the protection devices.
 - If the pressure switch, thermal switch, or other protection device is shorted or operated forcibly, or parts other than those specified by Mitsubishi Electric are used, fire or explosion may result.
- To dispose of this product, consult your dealer.
- The installer and system specialist shall secure safety against leakage according to local regulation or standards.
 - The size of the wire and capacities of the switch for the main power supply are applicable if local regulations are not available.
- Pay special attention to the place of installation, such as a basement, etc. where refrigeration gas can accumulate, since refrigeration is heavier than the air.
- For outdoor units that allow fresh air intake to the indoor unit, the installation site must be carefully chosen because outdoor air can directly blow into the room when the thermostat is turned off.
 - Direct exposure to outdoor air may have harmful effects on people or food.
- Children should be supervised to ensure that they do not play with the appliance.

1.2. Precautions for devices that use R410A refrigerant

⚠ Caution:

- **Do not use existing refrigerant piping.**
 - The old refrigerant and refrigerant oil in the existing piping contains a large amount of chlorine which may cause the refrigerant oil of the new unit to deteriorate.
 - R410A is a high-pressure refrigerant and can cause the existing piping to burst.
- **Use refrigerant piping made of phosphorus deoxidized copper and copper alloy seamless pipes and tubes. In addition, be sure that the inner and outer surfaces of the pipes are clean and free of hazardous sulphur, oxides, dust/dirt, shaving particles, oils, moisture, or any other contaminant.**
 - Contaminants on the inside of the refrigerant piping may cause the refrigerant residual oil to deteriorate.
- **Store the piping to be used during installation indoors and keep both ends of the piping sealed until just before brazing. (Store elbows and other joints in a plastic bag.)**
 - If dust, dirt, or water enters the refrigerant cycle, deterioration of the oil and compressor failure may result.
- **Apply a small amount of ester oil, ether oil, or alkyl benzene to flares. (for indoor unit)**
 - Infiltration of a large amount of mineral oil may cause the refrigerant oil to deteriorate.
- **Use liquid refrigerant to fill the system.**
 - If gas refrigerant is used to fill the system, the composition of the refrigerant in the cylinder will change and performance may drop.
- **Do not use a refrigerant other than R410A.**
 - If another refrigerant (R22, etc.) is mixed with R410A, the chlorine in the refrigerant may cause the refrigerant oil to deteriorate.
- **Use a vacuum pump with a reverse flow check valve.**
 - The vacuum pump oil may flow back into the refrigerant cycle and cause the refrigerant oil to deteriorate.
- **Do not use the following tools that are used with conventional refrigerants.**
(Gauge manifold, charge hose, gas leak detector, reverse flow check valve, refrigerant charge base, refrigerant recovery equipment)
 - If the conventional refrigerant and refrigerant oil are mixed in the R410A, the refrigerant may deteriorate.
 - If water is mixed in the R410A, the refrigerant oil may deteriorate.
 - Since R410A does not contain any chlorine, gas leak detectors for conventional refrigerants will not react to it.
- **Do not use a charging cylinder.**
 - Using a charging cylinder may cause the refrigerant to deteriorate.
- **Be especially careful when managing the tools.**
 - If dust, dirt, or water gets into the refrigerant cycle, the refrigerant may deteriorate.

1.3. Before installation

⚠ Caution:

- **Do not install the unit where combustible gas may leak.**
 - If the gas leaks and accumulates around the unit, an explosion may result.
- **Do not use the air conditioner where food, pets, plants, precision instruments, or artwork are kept.**
 - The quality of the food, etc. may deteriorate.
- **Do not use the air conditioner in special environments.**
 - Oil, steam, sulfuric smoke, etc. can significantly reduce the performance of the air conditioner or damage its parts.
- **When installing the unit in a hospital, communication station, or similar place, provide sufficient protection against noise.**
 - Inverter equipment, private power generator, high-frequency medical equipment, or radio communication equipment may cause the air conditioner to operate erroneously, or fail to operate. On the other hand, the air conditioner may affect such equipment by creating noise that disturbs medical treatment or image broadcasting.
- **Do not install the unit on a structure that may cause leakage.**
 - When the room humidity exceeds 80% or when the drain pipe is clogged, condensation may drip from the indoor unit. Perform collective drainage work together with the outdoor unit, as required.

2. About the product

- This unit uses R410A-type refrigerant.
- Piping for systems using R410A may be different from that for systems using conventional refrigerant because the design pressure in systems using R410A is higher. Refer to the Data Book for more information.
- Some of the tools and equipment used for installation with systems that use other types of refrigerant cannot be used with the systems using R410A. Refer to the Data Book for more information.

1.4. Before installation (relocation) - electrical work

⚠ Caution:

- **Ground the unit.**
 - Do not connect the ground wire to gas or water pipes, lightning rods, or telephone ground lines. Improper grounding may result in electric shock.
- **Never connect in reverse phases.**
Never connect the Power Line L1, L2, and L3 to Terminal N.
 - If the unit is miss wired, when power is supplied, some electrical parts will be damaged.
- **Install the power cable so that tension is not applied to the cable.**
 - Tension may cause the cable to break and generate heat and cause a fire.
- **Install a leak circuit breaker, as required.**
 - If a leak circuit breaker is not installed, electric shock may result.
- **Use power line cables of sufficient current carrying capacity and rating.**
 - Cables that are too small may leak, generate heat, and cause a fire.
- **Use only a circuit breaker and fuse of the specified capacity.**
 - A fuse or circuit breaker of a larger capacity, or the use of a substitute simple steel or copper wire may result in a general unit failure or fire.
- **Do not wash the air conditioner units.**
 - Washing them may cause an electric shock.
- **Be careful that the installation base is not damaged by long use.**
 - If the damage is left uncorrected, the unit may fall and cause personal injury or property damage.
- **Install the drain piping according to this Installation Manual to ensure proper drainage. Wrap thermal insulation around the pipes to prevent condensation.**
 - Improper drain piping may cause water leakage causing damage to furniture and other possessions.
- **Be very careful about transporting the product.**
 - One person should not carry the product. Its weight is in excess of 20kg.
 - Some products use PP bands for packaging. Do not use any PP bands as a means of transportation. It is dangerous.
 - Do not touch the heat exchanger fins. Doing so may cut your fingers.
 - When transporting the outdoor unit, support it at the specified positions on the unit base. Also support the outdoor unit at four points so that it cannot slip sideways.
- **Safely dispose of the packing materials.**
 - Packing materials, such as nails and other metal or wooden parts, may cause stabs or other injuries.
 - Tear apart and throw away plastic packaging bags so that children will not play with them. If children play with a plastic bag which has not been torn apart, they face the risk of suffocation.

1.5. Before starting the test run

⚠ Caution:

- **Turn on the power at least 12 hours before starting operation.**
 - Starting operation immediately after turning on the main power switch can result in irreversible damage to internal parts. Keep the power switch turned on during the operational season. Make sure of the phase order of power supply and voltage between each phase.
- **Do not touch the switches with wet fingers.**
 - Touching a switch with wet fingers can result in an electric shock.
- **Do not touch the refrigerant pipes during and immediately after operation.**
 - During and immediately after operation, the refrigerant pipes may be hot or cold, depending on the condition of the refrigerant flowing through the refrigerant piping, compressor, and other refrigerant cycle parts. Your hands may suffer burns or frostbite if you touch the refrigerant pipes.
- **Do not operate the air conditioner with the panels and guards removed.**
 - Rotating, hot, or high-voltage parts can cause injuries.
- **Do not turn off the power immediately after stopping operation.**
 - Always wait at least 5 minutes before turning off the power. Otherwise, drainage water leakage or mechanical failure of sensitive parts may occur.
- **Do not touch the surface of the compressor during servicing.**
 - If unit is connected to a supply and not running, the crank case heater located at the base of the compressor may still be operating.

⚠ Caution:

- **Do not vent R410A into the atmosphere.**
- **R410A is a Fluorinated Greenhouse gas, covered by the Kyoto Protocol with a Global Warming Potential (GWP) = 1975.**

3. Combination of outdoor units

Component units of PUHY-P500 to P1250 are listed below.

Outdoor unit model	Component unit model		
PUHY-P200YJM-A(-BS)	-	-	-
PUHY-P250YJM-A(-BS)	-	-	-
PUHY-P300YJM-A(-BS)	-	-	-
PUHY-P350YJM-A(-BS)	-	-	-
PUHY-P400YJM-A(-BS)	-	-	-
PUHY-P450YJM-A(-BS)	-	-	-
PUHY-P500YSJM-A(-BS)	PUHY-P250YJM-A(-BS)	PUHY-P250YJM-A(-BS)	-
PUHY-P500YSJM-A1(-BS)	PUHY-P300YJM-A(-BS)	PUHY-P200YJM-A(-BS)	-
PUHY-P550YSJM-A(-BS)	PUHY-P300YJM-A(-BS)	PUHY-P250YJM-A(-BS)	-
PUHY-P600YSJM-A(-BS)	PUHY-P350YJM-A(-BS)	PUHY-P250YJM-A(-BS)	-
PUHY-P600YSJM-A1(-BS)	PUHY-P300YJM-A(-BS)	PUHY-P300YJM-A(-BS)	-
PUHY-P650YSJM-A(-BS)	PUHY-P350YJM-A(-BS)	PUHY-P300YJM-A(-BS)	-
PUHY-P700YSJM-A(-BS)	PUHY-P350YJM-A(-BS)	PUHY-P350YJM-A(-BS)	-
PUHY-P700YSJM-A1(-BS)	PUHY-P400YJM-A(-BS)	PUHY-P300YJM-A(-BS)	-
PUHY-P750YSJM-A(-BS)	PUHY-P400YJM-A(-BS)	PUHY-P350YJM-A(-BS)	-
PUHY-P800YSJM-A(-BS)	PUHY-P450YJM-A(-BS)	PUHY-P350YJM-A(-BS)	-
PUHY-P800YSJM-A1(-BS)	PUHY-P400YJM-A(-BS)	PUHY-P400YJM-A(-BS)	-
PUHY-P850YSJM-A(-BS)	PUHY-P450YJM-A(-BS)	PUHY-P400YJM-A(-BS)	-
PUHY-P900YSJM-A(-BS)	PUHY-P450YJM-A(-BS)	PUHY-P450YJM-A(-BS)	-
PUHY-P950YSJM-A(-BS)	PUHY-P400YJM-A(-BS)	PUHY-P300YJM-A(-BS)	PUHY-P250YJM-A(-BS)
PUHY-P1000YSJM-A(-BS)	PUHY-P400YJM-A(-BS)	PUHY-P300YJM-A(-BS)	PUHY-P300YJM-A(-BS)
PUHY-P1050YSJM-A(-BS)	PUHY-P400YJM-A(-BS)	PUHY-P350YJM-A(-BS)	PUHY-P300YJM-A(-BS)
PUHY-P1100YSJM-A(-BS)	PUHY-P400YJM-A(-BS)	PUHY-P350YJM-A(-BS)	PUHY-P350YJM-A(-BS)
PUHY-P1150YSJM-A(-BS)	PUHY-P450YJM-A(-BS)	PUHY-P350YJM-A(-BS)	PUHY-P350YJM-A(-BS)
PUHY-P1200YSJM-A(-BS)	PUHY-P450YJM-A(-BS)	PUHY-P400YJM-A(-BS)	PUHY-P350YJM-A(-BS)
PUHY-P1250YSJM-A(-BS)	PUHY-P450YJM-A(-BS)	PUHY-P450YJM-A(-BS)	PUHY-P350YJM-A(-BS)

Component units of PUHY-EP400 to EP900 are listed below.

Outdoor unit model	Component unit model		
PUHY-EP200YJM-A(-BS)	-	-	-
PUHY-EP250YJM-A(-BS)	-	-	-
PUHY-EP300YJM-A(-BS)	-	-	-
PUHY-EP400YSJM-A(-BS)	PUHY-EP200YJM-A(-BS)	PUHY-EP200YJM-A(-BS)	-
PUHY-EP450YSJM-A(-BS)	PUHY-EP250YJM-A(-BS)	PUHY-EP200YJM-A(-BS)	-
PUHY-EP500YSJM-A(-BS)	PUHY-EP300YJM-A(-BS)	PUHY-EP200YJM-A(-BS)	-
PUHY-EP500YSJM-A1(-BS)	PUHY-EP250YJM-A(-BS)	PUHY-EP250YJM-A(-BS)	-
PUHY-EP550YSJM-A(-BS)	PUHY-EP300YJM-A(-BS)	PUHY-EP250YJM-A(-BS)	-
PUHY-EP600YSJM-A(-BS)	PUHY-EP300YJM-A(-BS)	PUHY-EP300YJM-A(-BS)	-
PUHY-EP650YSJM-A(-BS)	PUHY-EP250YJM-A(-BS)	PUHY-EP200YJM-A(-BS)	PUHY-EP200YJM-A(-BS)
PUHY-EP700YSJM-A(-BS)	PUHY-EP300YJM-A(-BS)	PUHY-EP200YJM-A(-BS)	PUHY-EP200YJM-A(-BS)
PUHY-EP700YSJM-A1(-BS)	PUHY-EP250YJM-A(-BS)	PUHY-EP250YJM-A(-BS)	PUHY-EP200YJM-A(-BS)
PUHY-EP750YSJM-A(-BS)	PUHY-EP300YJM-A(-BS)	PUHY-EP250YJM-A(-BS)	PUHY-EP200YJM-A(-BS)
PUHY-EP750YSJM-A1(-BS)	PUHY-EP250YJM-A(-BS)	PUHY-EP250YJM-A(-BS)	PUHY-EP250YJM-A(-BS)
PUHY-EP800YSJM-A(-BS)	PUHY-EP300YJM-A(-BS)	PUHY-EP300YJM-A(-BS)	PUHY-EP200YJM-A(-BS)
PUHY-EP800YSJM-A1(-BS)	PUHY-EP300YJM-A(-BS)	PUHY-EP250YJM-A(-BS)	PUHY-EP250YJM-A(-BS)
PUHY-EP850YSJM-A(-BS)	PUHY-EP300YJM-A(-BS)	PUHY-EP300YJM-A(-BS)	PUHY-EP250YJM-A(-BS)
PUHY-EP900YSJM-A(-BS)	PUHY-EP300YJM-A(-BS)	PUHY-EP300YJM-A(-BS)	PUHY-EP300YJM-A(-BS)

4. Specifications

Model	PUHY-P200YJM-A	PUHY-P250YJM-A	PUHY-P300YJM-A	PUHY-P350YJM-A	PUHY-P400YJM-A	PUHY-P450YJM-A	PUHY-P500YSJM-A	PUHY-P500YSJM-A1	PUHY-P550YSJM-A	PUHY-P600YSJM-A	PUHY-P600YSJM-A1	PUHY-P650YSJM-A	PUHY-P700YSJM-A	
Noise level (50/60Hz)	56dB<A>	58dB<A>	59dB<A>	60dB<A>	61dB<A>	62dB<A>	61dB<A>	61dB<A>	61.5dB<A>	62dB<A>	62dB<A>	62.5dB<A>	63dB<A>	
External static pressure	0 Pa *2													
Indoor units	Total capacity	50~130% *1												
	Model	15~250												
	Quantity	1~17	1~21	1~26	1~30	1~34	1~39	1~43	1~43	1~47	1~50	1~50	1~50	
Operation temperature	Standard type	Cooling mode: - 5°CDB ~ 46°CDB Heating mode: - 20°CWB ~ 15.5°CWB												
	Fresh air intake type	Cooling mode: 21°CDB ~ 43°CDB Heating mode: - 12.5°CWB ~ 20°CWB												

Model	PUHY-P700YSJM-A1	PUHY-P750YSJM-A	PUHY-P800YSJM-A	PUHY-P800YSJM-A1	PUHY-P850YSJM-A	PUHY-P900YSJM-A	PUHY-P950YSJM-A	PUHY-P1000YSJM-A	PUHY-P1050YSJM-A	PUHY-P1100YSJM-A	PUHY-P1150YSJM-A	PUHY-P1200YSJM-A	PUHY-P1250YSJM-A	
Noise level (50/60Hz)	63dB<A>	63.5dB<A>	64dB<A>	64dB<A>	64.5dB<A>	65dB<A>	64.5dB<A>	64.5dB<A>	65dB<A>	65dB<A>	65.5dB<A>	66dB<A>	66dB<A>	
External static pressure	0 Pa *2													
Indoor units	Total capacity	50~130% *1												
	Model	15~250												
	Quantity	1~50	1~50	1~50	1~50	1~50	1~50	1~50	2~50	2~50	2~50	2~50	2~50	
Operation temperature	Standard type	Cooling mode: - 5°CDB ~ 46°CDB Heating mode: - 20°CWB ~ 15.5°CWB												
	Fresh air intake type	Cooling mode: 21°CDB ~ 43°CDB Heating mode: - 12.5°CWB ~ 20°CWB												

Model	PUHY-EP200YJM-A	PUHY-EP250YJM-A	PUHY-EP300YJM-A	PUHY-EP400YSJM-A	PUHY-EP450YSJM-A	PUHY-EP500YSJM-A	PUHY-EP500YSJM-A1	PUHY-EP550YSJM-A	PUHY-EP600YSJM-A	
Noise level (50/60Hz)	57dB<A>	60dB<A>	61dB<A>	60dB<A>	62dB<A>	62.5dB<A>	62.5dB<A>	63dB<A>	63.5dB<A>	
External static pressure	0 Pa *2									
Indoor units	Total capacity	50~130% *1								
	Model	15~250								
	Quantity	1~17	1~21	1~26	1~34	1~39	1~43	1~43	1~47	
Operation temperature	Standard type	Cooling mode: - 5°CDB ~ 46°CDB Heating mode: - 20°CWB ~ 15.5°CWB								
	Fresh air intake type	Cooling mode: 21°CDB ~ 43°CDB Heating mode: - 12.5°CWB ~ 20°CWB								

Model	PUHY-EP650YSJM-A	PUHY-EP700YSJM-A	PUHY-EP700YSJM-A1	PUHY-EP750YSJM-A	PUHY-EP750YSJM-A1	PUHY-EP800YSJM-A	PUHY-EP800YSJM-A1	PUHY-EP850YSJM-A	PUHY-EP900YSJM-A	
Noise level (50/60Hz)	63dB<A>	63.5dB<A>	64dB<A>	64.5dB<A>	65dB<A>	65dB<A>	65dB<A>	65.5dB<A>	66dB<A>	
External static pressure	0 Pa *2									
Indoor units	Total capacity	50~130% *1								
	Model	15~250								
	Quantity	1~50	1~50	1~50	1~50	1~50	1~50	1~50	1~50	
Operation temperature	Standard type	Cooling mode: - 5°CDB ~ 46°CDB								
		Heating mode: - 20°CWB ~ 15.5°CWB								
	Fresh air intake type	Cooling mode: 21°CDB ~ 43°CDB Heating mode: - 12.5°CWB ~ 20°CWB								

*1: The total indoor capacity of units run simultaneously is 130% or less.

*2: To enable high static pressure with (E)P200, (E)P250, (E)P300, P350, P400, and P450, set the DipSW on the main panel as follows.

SW3-9: ON, SW3-10 60Pa compatible: OFF, 30Pa compatible: ON

5. Confirmation of parts attached

- This unit includes the following parts. Please check.
- For usage methods, refer to item 10.2.

Model	① Connecting elbow IDø19.05, ODø19.05 <Gas side>	② Connecting elbow IDø25.4, ODø25.4 <Gas side>	③ Connecting elbow IDø28.58, ODø28.58 <Gas side>	④ Connecting pipe IDø12.7, ODø9.52 <Liquid side>	⑤ Connecting pipe IDø15.88, ODø9.52 <Liquid side>	⑥ Connecting pipe IDø9.52, ODø12.7 <Liquid side>	⑦ Connecting pipe IDø15.88, ODø12.7 <Liquid side>	⑧ Connecting pipe IDø15.88, ODø19.05 <Liquid side>
P200	1pc.	-	-	-	-	-	-	-
P250	-	1pc.	-	-	-	-	-	-
P300	-	1pc.	-	1pc.	-	-	-	-
P350	-	1pc.	-	-	-	-	1pc.	-
P400	-	1pc.	-	-	-	-	1pc.	-
P450	-	-	1pc.	-	-	-	-	-
EP200	-	1pc.	-	-	-	-	-	-
EP250	-	1pc.	-	-	1pc.	1pc.	1pc.	1pc.
EP300	-	-	1pc.	-	1pc.	-	1pc.	-

Model	⑨ Connecting pipe IDø25.4, ODø19.05 <Gas side>	⑩ Connecting pipe IDø25.4, ODø22.2 <Gas side>	⑪ Connecting pipe IDø28.58, ODø22.2 <Gas side>	⑫ Connecting pipe IDø25.4, ODø28.58 <Gas side>	⑬ Connecting pipe IDø28.58, ODø34.93 <Gas side>	⑭ Connecting pipe IDø9.52, ODø9.52 <Liquid side>	⑮ Connecting pipe IDø12.7, ODø12.7 <Liquid side>	⑯ Connecting pipe IDø15.88, ODø15.88 <Liquid side>
P200	-	-	-	-	-	1pc.	-	-
P250	-	1pc.	-	-	-	1pc.	-	-
P300	-	1pc.	-	-	-	-	1pc.	-
P350	-	-	-	1pc.	-	-	-	1pc.
P400	-	-	-	1pc.	-	-	-	1pc.
P450	-	-	-	-	-	-	-	1pc.
EP200	1pc.	-	-	-	-	1pc.	-	-
EP250	-	1pc.	-	-	1pc.	-	-	1pc.
EP300	-	-	1pc.	-	-	-	-	1pc.

6. Space required around unit

① In case of single installation

- Secure enough space around the unit as shown in the figure on page 2.

[Fig. 6.0.1] (P.2)

- <A> Top view
- Side view
- <C> When there is little space up to an obstruction
- Ⓐ Front
- Ⓑ Unit height
- Ⓒ Back
- Ⓓ Air outlet guide (Procured at the site)

(1) If the distance is 300 mm or more between the rear side and the wall

(2) If the distance is 100 mm or more between the rear side and the wall

(3) If the wall height (H) of the front, rear or side exceeds the wall height restriction

- When the height of the walls on the front, back or on the sides <H> exceeds the wall height limit as defined here, add the height that exceeds the height limit <h> to the figures that are marked with an asterisk.
- If the unit cannot be kept clear of the wall, please change the direction of the air outlet of the unit to blow against the wall to avoid air short cycle.

<Wall height limit> Front: Up to the unit height
Back: Up to 500 mm from the unit bottom
Side: Up to the unit height

(4) If there are obstacles at the upper part of the unit

② In case of collective installation

[Fig. 6.0.2] (P.2)

- Ⓐ Front
- Ⓑ Must be open
- Ⓒ Wall height (H)

- When multiple units are installed adjacent to each other, secure enough space to allow for air circulation and walkway between groups of units as shown in the figures on page 2.
- At least two sides must be left open.
- As with the single installation, add the height that exceeds the height limit <h> to the figures that are marked with an asterisk.
- If there is a wall at both the front and the rear of the unit. Install up to six units (three units: P450, EP300) consecutively in the side direction and provide a space of 1000 mm or more as inlet space/passage space for each six units (three units: P450, EP300).

7. Lifting method

[Fig. 7.0.1] (P.3)

- Use suspension ropes that will withstand the weight of the unit.
- When moving the unit, use a **4-point suspension**, and avoid giving impacts to the unit (Do not use **2-point suspension**).
- Place protective pads on the unit where it comes in contact with the ropes to protect the unit from being scratched.
- Set the angle of roping at 40° or less.
- Use 2 ropes that are each longer than 8 meters.
- Place protective padding at the corners of the product to protect the product from scratches or dents that might be caused by the rope.

⚠ Caution:

Be very careful when carrying/moving the product.

- When installing the outdoor unit, suspend the unit at the specified location of the unit base. Stabilize as necessary so that it does not move to the side and support it at 4 points. If the unit is installed or suspended with 3-point support, the unit may become unstable and fall.

8. Installation of unit

8.1. Installation

[Fig. 8.1.1] (P.3)

- <A> Without detachable leg With detachable leg
 (A) M10 anchor bolt procured at the site. (B) Corner is not seated.
 (C) Fixing bracket for the hole-in anchor bolt (3 locations to fix with screws).
 (D) Detachable leg

- Fix unit tightly with bolts so that unit will not fall down due to earthquakes or strong winds.
- Use concrete or an angle bracket as the foundation of unit.
- Vibration may be transmitted to the installation section and noise and vibration may be generated from the floor and walls, depending on the installation conditions. Therefore, provide ample vibrationproofing (cushion pads, cushion frame, etc.).
- Build the foundation in such way that the corner of the installation leg is securely supported as shown in the figure. (Fig. 8.1.1)
When using a rubber isolating cushion, please ensure it is large enough to cover the entire width of each of the unit's legs. If the corners are not firmly seated, the installation feet may be bent.
- The projecting length of the anchor bolt should be less than 30 mm.
- Hole-in anchor bolts are not compatible with this product. However, if fixing brackets are mounted on the 4 locations (6 locations: P450, EP300) of the unit attachment part, hole-in anchor bolts can be used.

[Fig. 8.1.2] (P.3)

(A) Screws

- The detachable leg can be removed at the site.
- Detaching the detachable leg
Loosen the three screws to detach the detachable leg (Two (three: P450, EP300) each in the front and back).
If the base leg finish is damaged when detaching, be sure to repair at the site.

⚠ Warning:

- **Be sure to install unit in a place strong enough to withstand its weight. Any lack of strength may cause unit to fall down, resulting in a personal injury.**
- **Have installation work in order to protect against strong winds and earthquakes. Any installation deficiency may cause unit to fall down, resulting in a personal injury.**

When building the foundation, give full attention to the floor strength, drain water disposal <during operation, drain water flows out of the unit>, and piping and wiring routes.

Precautions when routing the pipes and wires below the unit (Without detachable leg)

When routing the pipes and wires below the unit, be sure that the foundation and base work do not block the base through-holes. Also make sure the foundation is at least 100 mm high so that the piping can pass under the unit.

9. Refrigerant piping installation

The pipe is connected via a terminal-branch type connection in which refrigerant piping from the outdoor unit is branched at the terminal and is connected to each of the indoor units.

The method of pipe connection is as follows: flare connection for the indoor units, gas pipes and liquid pipes for outdoor units, brazed connection. Note that the branched sections are brazed.

⚠ Warning:

Always use extreme care to prevent the refrigerant gas from leaking while using fire or flame. If the refrigerant gas comes in to contact with a flame from any source, such as a gas stove, it breaks down and generates a poisonous gas which can cause gas poisoning. Never weld in an unventilated room. Always conduct an inspection for gas leakage after installation of the refrigerant piping has been completed.

⚠ Caution:

- Do not vent R410A into the atmosphere.
- R410A is a Fluorinated Greenhouse gas, covered by the Kyoto Protocol with a Global Warming Potential (GWP) = 1975.

9.1. Caution

This unit uses refrigerant R410A. Follow the local regulations on materials and pipe thickness when selecting pipes. (Refer to the table on the right.)

① Use the following materials for refrigeration piping.

- Material: Use copper alloy seamless pipes made of phosphorus deoxidized copper. Ensure the inner and outer surfaces of the pipes are clean and free from hazardous sulfur, oxide, dusts, shaving particles, oils, and moisture (contamination).
- Size: Refer to item 9.2. for detailed information on refrigerant piping system.

- ② Commercially available piping often contains dust and other materials. Always blow it clean with a dry inert gas.
- ③ Use care to prevent dust, water or other contaminants from entering the piping during installation.
- ④ Reduce the number of bending portions as much as possible, and make bending radii as big as possible.
- ⑤ For indoor and outdoor branching, be sure to use the following twinning pipe sets (sold separately).

Copper pipe size and radial thickness for R410A CITY MULTI.

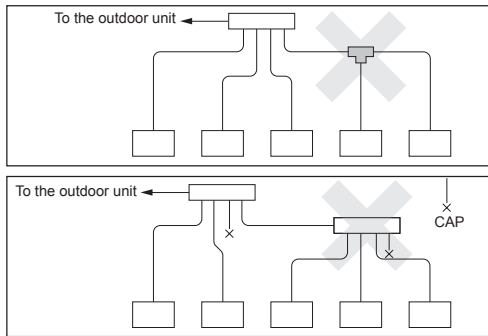
Size (mm)	Size (inch)	Radial thickness (mm)	Pipe type
ø6.35	ø1/4"	0.8	Type-O
ø9.52	ø3/8"	0.8	Type-O
ø12.7	ø1/2"	0.8	Type-O
ø15.88	ø5/8"	1.0	Type-O
ø19.05	ø3/4"	1.2	Type-O
ø19.05	ø3/4"	1.0	Type-1/2H or H
ø22.2	ø7/8"	1.0	Type-1/2H or H
ø25.4	ø1"	1.0	Type-1/2H or H
ø28.58	ø1-1/8"	1.0	Type-1/2H or H
ø31.75	ø1-1/4"	1.1	Type-1/2H or H
ø34.93	ø1-3/8"	1.2	Type-1/2H or H
ø41.28	ø1-5/8"	1.4	Type-1/2H or H

* For pipe sized ø19.05 (3/4") for R410A air conditioner, choice of pipe type is up to you.

Indoor twinning pipe set model						
Line branch				Header branch		
Lower stream unit model Less than 200 in total	Lower stream unit model More than 201 and less than 400 in total	Lower stream unit model More than 401 and less than 650 in total	Lower stream unit model More than 651 in total	4 branching	8 branching	10 branching
CMY-Y102S-G2	CMY-Y102L-G2	CMY-Y202-G2	CMY-Y302-G2	CMY-Y104-G	CMY-Y108-G	CMY-Y1010-G

Outdoor twinning kit model		
Total outdoor model P500 ~ P650 EP400 ~ EP600	Total outdoor model P700 ~ P900	Total outdoor model P950 ~ P1250 EP650 ~ EP900
CMY-Y100VBK2	CMY-Y200VBK2	CMY-Y300VBK2

- ⑥ Use a fitting if a specified refrigerant pipe has a different diameter from that of a branching pipe.
- ⑦ Always observe the restrictions on the refrigerant piping (such as rated length, height difference, and piping diameter) to prevent equipment failure or a decline in heating/cooling performance.
- ⑧ Branching cannot be made after header branching (corresponding parts are marked with X in the diagram below).



- ⑨ Either a lack or an excess of refrigerant causes the unit to make an emergency stop. Charge the system with an appropriate amount of refrigerant. When servicing, always check the notes concerning pipe length and amount of additional refrigerant at both locations, the refrigerant volume calculation table on the back of the service panel and the additional refrigerant section on the labels for the combined number of indoor units (Refer to item 9.2. for detailed information on refrigerant piping system).
- ⑩ **Be sure to charge the system using liquid refrigerant.**
- ⑪ **Never use refrigerant to perform an air purge.** Always evacuate using a vacuum pump.
- ⑫ Always insulate the piping properly. Insufficient insulation will result in a decline in heating/cooling performance, water drops from condensation and other such problems (Refer to item 10.4 for thermal insulation of refrigerant piping).
- ⑬ When connecting the refrigerant piping, make sure the valve of the outdoor unit is completely closed (the factory setting) and do not operate it until the refrigerant piping for the outdoor and indoor units has been connected, a refrigerant leakage test has been performed and the evacuation process has been completed.
- ⑭ **Braze only with non-oxide brazing material for piping. Failure to do so may damage the compressor. Be sure to perform the non-oxidation brazing with a nitrogen purge. Do not use any commercially available anti-oxidizing agent since it may cause pipe corrosion and degrading of the refrigerant oil. Please contact Mitsubishi Electric for more details.**
(Refer to item 10.2. for details of the piping connection and valve operation)
- ⑮ **Never perform outdoor unit piping connection work when it is raining.**

Warning:

When installing and moving the unit, do not charge the system with any other refrigerant other than the refrigerant specified on the unit.

- Mixing of a different refrigerant, air, etc. may cause the refrigerant cycle to malfunction and may result in severe damage.

Caution:

- **Use a vacuum pump with a reverse flow check valve.**
- If the vacuum pump does not have a reverse flow check valve, the vacuum pump oil may flow back into the refrigerant cycle and cause deterioration of the refrigerant oil.
- **Do not use the tools shown below used with conventional refrigerant. (Gauge manifold, charge hose, gas leak detector, check valve, refrigerant charge base, vacuum gauge, refrigerant recovery equipment)**
- Mixing of conventional refrigerant and refrigerant oil may cause the refrigerant oil to deteriorate.

10. Additional refrigerant charge

At the time of shipping, the outdoor unit is charged with refrigerant. This charge does not include the amount needed for extended piping and additional charging of each refrigerant line will be required on site. In order that future servicing may be properly provided, always keep a record of the size and length of each refrigerant line and the amount of additional charge by writing it in the space provided on the outdoor unit.

10.1. Calculation of additional refrigerant charge

- Calculate the amount of additional charge based on the length of the piping extension and the size of the refrigerant line.
- Use the table to the right as a guide to calculating the amount of additional charging and charge the system accordingly.

- Mixing of water will cause the refrigerant oil to deteriorate.
- R410A refrigerant does not contain any chlorine. Therefore, gas leak detectors for conventional refrigerants will not react to it.
- **Manage the tools used for R410A more carefully than normal.**
- If dust, dirt, or water gets in the refrigerant cycle, the refrigerant oil will deteriorate.
- **Never use existing refrigerant piping.**
- The large amount of chlorine in conventional refrigerant and refrigerant oil in the existing piping will cause the new refrigerant to deteriorate.
- **Store the piping to be used during installation indoors and keep both ends of the piping sealed until just before brazing.**
- If dust, dirt, or water gets into the refrigerant cycle, the oil will deteriorate and the compressor may fail.
- **Do not use a charging cylinder.**
- Using a charging cylinder may cause the refrigerant to deteriorate.
- **Do not use special detergents for washing piping.**

9.2. Refrigerant piping system

Connection example

[Fig. 9.2.1] (P.4)

[A] Outdoor model	[B] Liquid pipe
[C] Gas pipe	[D] Total capacity of indoor units
[E] Model number	[F] Downstream unit model total
[G] Joint	[H] The 1st branch of P450 ~ P650
[I] The 1st branch of P700, P750, P800	
[J] 4-Branching header (Downstream unit model total ≤ 200)	
[K] 8-Branching header (Downstream unit model total ≤ 400)	
[L] 10-Branching header (Downstream unit model total ≤ 650)	
[M] Outdoor twinning kit	
[A] Outdoor unit	[B] First branch
[C] Indoor unit	[D] Cap
[E] Outdoor twinning kit	

*1 ø12.7 for over 90 m

*2 ø12.7 for over 40 m

*3 The pipe sizes listed in columns A1 to A3 in this table correspond to the sizes for the models listed in the unit 1, 2, and 3 columns. When the order of the models for unit 1, 2, and 3 change, make sure to use the appropriate pipe size.

Precautions for outdoor unit combinations

Refer to [Fig. 9.2.2] for the positioning of twinning pipes.

[Fig. 9.2.2] (P.6)

- <A> Make sure the pipes from the twinning pipe to the outdoor unit are sloped downwards (towards the twinning pipe).
 - When the piping on the outdoor unit side (from the twinning pipe) exceeds 2 m, ensure a trap (gas pipe only) within 2 m. Make sure the height of the trap is 200 mm or more.
If there is no trap, oil can accumulate inside the pipe, causing a shortage of oil and may damage the compressor.
 - <C> Slope of twinning pipes
Make sure the slope of the twinning pipes are at an angle within ±15° to the ground.
If the slope exceeds the specified angle, the unit may be damaged.
 - <D> Pipe connection example
- | | |
|---|--------------------------|
| [A] Downward slope | [B] Upward slope |
| [C] Indoor unit | [D] Trap (gas pipe only) |
| [E] Within 2 m | [F] Twinning pipe |
| [G] Slope of the twinning pipes are at an angle within ±15° to the ground | |
| [H] Pipes on site | [I] Twinning kit |
| [J] Straight run of pipe that is 500 mm or more | |
| [G] ODø12.7 × IDø9.52 (included with outdoor unit) | |
| [H] ODø19.05 × IDø15.88 (included with outdoor unit) | |
| [I] ODø34.93 × IDø28.58 (included with outdoor unit) | |
- ([G], [H], [I]: Refer to item 10.2.)

Caution:

- **Do not install traps other than the ones between outdoor units described on a separate sheet to prevent oil backflow and compressor start-up failure.**
- **Do not install solenoid valves to prevent oil backflow and compressor start-up failure.**
- **Do not install a sight glass because it may show improper refrigerant flow. If a sight glass is installed, inexperienced technicians that use the glass may overcharge the refrigerant.**

- If the calculation results in a fraction of less than 0.1 kg, round up to the next 0.1 kg. For example, if the result of the calculation was 12.38 kg, round the result up to 12.4 kg.

<Additional Charge>

Additional refrigerant charge (kg)	=	Liquid pipe size Total length of ø19.05 × 0.29 (m) × 0.29 (kg/m)	+	Liquid pipe size Total length of ø15.88 × 0.2 (m) × 0.2 (kg/m)	+	Liquid pipe size Total length of ø12.7 × 0.12 (m) × 0.12 (kg/m)
		Liquid pipe size Total length of ø9.52 × 0.06 (m) × 0.06 (kg/m)		Liquid pipe size Total length of ø6.35 × 0.024 (m) × 0.024 (kg/m)		+ α

<Example>

Indoor	1: 125	A: ø12.7	40 m	a: ø9.52	10 m	} At the conditions below:
	2: 100	B: ø9.52	10 m	b: ø9.52	5 m	
	3: 40	C: ø9.52	15 m	c: ø6.35	10 m	
	4: 32	D: ø9.52	10 m	d: ø6.35	10 m	
	5: 63			e: ø9.52	10 m	

The total length of each liquid line is as follows:

ø12.7: A = 40 = 40 m

ø9.52: B + C + D + a + b + e = 10 + 15 + 10 + 10 + 5 + 10 = 60 m

ø6.35: c + d = 10 + 10 = 20 m

Therefore,

<Calculation example>

Additional refrigerant charge

$$= 40 \times 0.12 + 60 \times 0.06 + 20 \times 0.024 + 3.5 = 12.4 \text{ kg}$$

Value of α

Total capacity of connecting indoor units	α
Models ~ 80	2.0 kG
Models 81 ~ 160	2.5 kG
Models 161 ~ 330	3.0 kG
Models 331 ~ 390	3.5 kG
Models 391 ~ 480	4.5 kG
Models 481 ~ 630	5.0 kG
Models 631 ~ 710	6.0 kG
Models 711 ~ 800	8.0 kG
Models 801 ~ 890	9.0 kG
Models 891 ~ 1070	10.0 kG
Models 1071 ~ 1250	12.0 kG
Models 1251 ~	14.0 kG

10.2. Precautions concerning piping connection and valve operation

- Conduct piping connection and valve operation accurately and carefully.
- **Removing the pinched connecting pipe**
When shipped, a pinched connecting pipe is attached to the on-site liquid and gas valves to prevent gas leakage.
Take the following steps ① through ④ to remove the pinched connecting pipe before connecting refrigerant pipes to the outdoor unit.
 - ① Check that the refrigerant service valve is fully closed (turned clockwise all the way).
 - ② Connect a charging hose to the service port on the liquid/gas refrigerant service valve, and extract the gas in the pipe section between the refrigerant service valve and the pinched connecting pipe.
 - ③ After vacuuming gas from the pinched connecting pipe, sever the pinched connecting pipe at the location shown in [Fig.10.2.1] and drain the refrigerant.
 - ④ After completing ② and ③ heat the brazed section to remove the pinched connecting pipe.

[Fig. 10.2.1] (P.7)

<A> Refrigerant service valve (liquid side/brazed type)

 Refrigerant service valve (gas side/brazed type)

Ⓐ Shaft

Fully closed at the factory, when connecting the piping, and when vacuuming. Open fully after these operations are completed.

<When opening>

- Turn the shaft counterclockwise with a hexagonal wrench.
- Turn around the shaft until it stops.

<When closing>

- Turn the shaft clockwise with a hexagonal wrench.
- Turn around the shaft until it stops.

Ⓑ Shaft

Fully closed at the factory, when connecting the piping, and when vacuuming. Open fully after these operations are completed.

<When opening>

- Turn the shaft counterclockwise.
- Turn around the shaft until it stops.

<When closing>

- Turn the shaft clockwise.
- Turn around the shaft until it stops.

Ⓒ Stopper pin

Prevents the shaft from turning 90° or more.

Ⓓ Service port

Available for gas venting of the pinched connecting pipe, or vacuuming in the refrigerant pipes on the site.

Ⓔ Cap

Remove the cap before operating the shaft. Be sure to return it to the original position after completing the operation.

Ⓕ Pinched connecting pipe severing portion

Ⓖ Pinched connecting pipe brazing portion

⚠ Warning:

- **The sections between the refrigerant service valves and the pinched connecting pipes are filled with gas and refrigerant oil. Extract the gas and refrigerant oil in the above-mentioned pipe section before heating the brazed section to remove the refrigerant service valve pinched connecting pipe.**
 - If the brazed section is heated without first extracting the gas and refrigerant oil, the pipe may burst or the pinched connecting pipe may blow off and ignite the refrigerant oil, causing serious injury.

⚠ Caution:

- Place a wet towel on the refrigerant service valve before heating the brazed section to keep the temperature of the valve from exceeding 120 °C.
- Direct the flame away from the wiring and metal sheets inside the unit to prevent heat damage.

⚠ Caution:

- Do not vent R410A into the atmosphere.
- R410A is a Fluorinated Greenhouse gas, covered by the Kyoto Protocol, with a Global Warming Potential (GWP) = 1975.
- **Refrigerant pipe connection**
This product includes connecting pipes for front piping and bottom post-piping. (Refer to [Fig.10.2.2])
Check the liquid/gas piping dimensions before connecting the refrigerant pipe. Refer to item 9.2 Refrigerant piping system for piping dimensions. Make sure that the refrigerant pipe is not touching other refrigerants pipes, unit panels, or base plates.
Be sure to use non-oxidative brazing when connecting pipes.
Be careful not to burn the wiring and plate when brazing.

<Refrigerant piping connection examples>

[Fig.10.2.2] (P.7)

<A> Front pipe routing

 Bottom pipe routing

<C> Included with outdoor unit

Ⓐ Gas pipe (field supply required)

Ⓑ Liquid pipe (field supply required)

Ⓒ Shape

• Front pipe routing

Liquid side	P200, P250, EP200	Use the included connecting pipe ⑭ to connect.
	P300	Use the included connecting pipe ④ and ⑮ to connect.
	P300*2 *3	Use the included connecting pipe ⑮ to connect.
	EP250, EP300	Use the included connecting pipe ⑤ and ⑯ to connect.
	EP250*1, EP300*2 *3 P350, P400	Use the included connecting pipe ⑦ and ⑰ to connect.
Gas side	P400*3, P450	Use the included connecting pipe ⑰ to connect.
	P200	Use the included elbow ① to connect.
	EP200	Use the included elbow ② and connecting pipe ⑨ to connect.
	P250, EP250, P300	Use the included elbow ② and connecting pipe ⑩ to connect.
	EP300	Use the included elbow ③ and connecting pipe ⑪ to connect.
	P350, P400	Use the included elbow ② and connecting pipe ⑫ to connect.
	P450	Use the included elbow ③ to connect.

• Bottom pipe routing

Liquid side	P200, P250, EP200	Expand the liquid side on-site piping (ID ø9.52) and connect to the refrigerant service valve piping.
	P300	Use the included connecting pipe ④ to connect.
	P300*2 *3	Expand the liquid side on-site piping (ID ø12.7) and connect to the refrigerant service valve piping.
	EP250, EP300	Use the included connecting pipe ⑤ to connect.
	EP250*1, EP300*2 *3, P350, P400	Use the included connecting pipe ⑦ to connect.
Gas side	P400*3, P450	Expand the liquid side on-site piping (ID ø15.88) and connect to the refrigerant service valve piping.
	P200	Expand the gas side on-site piping (ID ø19.05) and connect to the refrigerant service valve piping.
	EP200	Use the included connecting pipe ⑨ to connect.
	P250, EP250, P300	Use the included connecting pipe ⑩ to connect.
	EP300	Use the included connecting pipe ⑪ to connect.
	P350, P400	Use the included connecting pipe ⑫ to connect.
	P450	Expand the gas side on-site piping (ID ø28.58) and connect to the refrigerant service valve piping.

*1 Over 90m

*2 Over 40m

*3 In the case the unit is used in combination with other outdoor units.

*4 EP650YSJM-A : Use the included connecting pipe ⑥, ⑧, and ⑬ to connect to the twinning kit.

*5 EP700YSJM-A1 : Use the included connecting pipe ⑥ to connect to the twinning kit.

*6 EP750YSJM-A1 : Use the included connecting pipe ⑥ to connect to the twinning kit. (*4~*6: Refer to item 9.2.)

Satisfy the minimum insertion depth in the table below when expanding on-site piping

Pipe diameter (mm)	Minimum insertion depth (mm)
5 or more less than 8	6
8 or more less than 12	7
12 or more less than 16	8
16 or more less than 25	10
25 or more less than 35	12
35 or more less than 45	14

- After evacuation and refrigerant charging, ensure that the handle is fully open. If operating with the valve closed, abnormal pressure will be imparted to the high- or low-pressure side of the refrigerant circuit, giving damage to the compressor, four-way valve, etc.

- Determine the amount of additional refrigerant charge by using the formula, and charge refrigerant additionally through the service port after completing piping connection work.
- After completing work, tighten the service port and cap securely so as not to generate any gas leakage. (Refer to the table on the below for appropriate tightening torque.)

Appropriate tightening torque:

Outer diameter of copper pipe (mm)	Cap (N·m)	Shaft (N·m)	Size of hexagonal wrench (mm)	Service port (N·m)
ø9.52	15	6	4	12
ø12.7	20	9	4	
ø15.88	25	15	6	
ø19.05	25	30	8	
ø25.4	25	30	8	16
ø28.58	25	-	-	

⚠ Caution:

- **Keep the valve closed until refrigerant charging to the pipes to be added on site has been completed. Opening the valve before charging the refrigerant may cause damage to the unit.**
- **Do not use a leak detection additive.**

[Fig. 10.2.3] (P.7)

- (A) Example of closure materials (field supply)
- (B) Fill the gap at the site

Make sure to seal-off the space around areas where the wires and refrigerant pipes enter the unit to ensure that small animals, rainwater, or snow cannot enter the unit through such openings and cause damage to the unit.

⚠ Caution:

Make sure to seal-off the openings for the pipe and wire retrieval.

- **Small animals, rainwater, or snow entering through the openings may cause damage to the device.**

Airtight test procedure	Restriction
(1) After pressurizing to the design pressure (4.15 MPa) using nitrogen gas, allow it to stand for about one day. If the pressure does not drop, airtightness is good. However, if the pressure drops, since the leaking point is unknown, the following bubble test may also be performed. (2) After the pressurization described above, spray the flare connection parts, brazed parts, and other parts that may leak with a bubbling agent (Gupoflex, etc.) and visually check for bubbles. (3) After the airtight test, wipe off the bubbling agent.	<ul style="list-style-type: none"> • If a flammable gas or air (oxygen) is used as the pressurization gas, it may catch fire or explode.

⚠ Caution:

Only use refrigerant R410A.

- The use of other refrigerants such as R22 or R407C, which contains chlorine, will deteriorate the refrigerating machine oil or cause the compressor to malfunction.

② Evacuation

Evacuate with the valve of the outdoor unit closed and evacuate both the connection piping and the indoor unit from the service port provided on the valve of the outdoor unit using a vacuum pump. (Always evacuate from the service port of both liquid pipe and gas pipe.) After the vacuum reaches 650 Pa [abs], continue evacuation for at least one hour or more. Then, stop the vacuum pump and leave it for 1 hour. Ensure the degree of vacuum has not increased. **(If the degree of vacuum increase is larger than 130 Pa, water might have entered. Apply pressure to dry nitrogen gas up to 0.05 MPa and vacuum again.)** Finally, seal in with the liquid refrigerant through the liquid pipe, and adjust the gas piping to obtain an appropriate amount of the refrigerant during operation.

* Never perform air purging using refrigerant.

[Fig. 10.3.2] (P.8)

- (A) System analyzer
- (B) Low knob
- (C) Hi knob
- (D) Valve
- (E) Liquid pipe
- (F) Gas pipe
- (G) Service port
- (H) Three-way joint
- (I) Valve
- (J) Valve
- (K) R410A cylinder
- (L) Scale
- (M) Vacuum pump
- (N) To indoor unit
- (O) Outdoor unit

Note:

- **Always add an appropriate amount of refrigerant. Also always charge the system with liquid refrigerant.**
- **Use a gauge manifold, charging hose, and other parts for the refrigerant indicated on the unit.**
- **Use a gravimeter. (One that can measure down to 0.1 kg.)**
- **Use a vacuum pump with a reverse flow check valve. (Recommended vacuum gauge: ROBINAIR 14830A Thermistor Vacuum Gauge)**
Also use a vacuum gauge that reaches 65 Pa [abs] or below after operating for five minutes.

10.3. Airtight test, evacuation, and refrigerant charging

① Airtight test

Perform with the valve of the outdoor unit closed, and pressurize the connection piping and the indoor unit from the service port provided on the valve of the outdoor unit. (Always pressurize from both the liquid pipe and the gas pipe service ports.)

[Fig. 10.3.1] (P.8)

- (A) Nitrogen gas
- (B) To indoor unit
- (C) System analyzer
- (D) Low knob
- (E) Hi knob
- (F) Valve
- (G) Liquid pipe
- (H) Gas pipe
- (I) Outdoor unit
- (J) Service port

Observe the following restrictions when conducting an air tightness test to prevent negative effects on the refrigerating machine oil. Also, with nonazeotropic refrigerant (R410A), gas leakage causes the composition to change and affects performance. Therefore, perform the airtightness test cautiously.

③ Refrigerant Charging

Since the refrigerant used with the unit is nonazeotropic, it must be charged in the liquid state. Consequently, when charging the unit with refrigerant from a cylinder, if the cylinder does not have a syphon pipe, charge the liquid refrigerant by turning the cylinder upside-down as shown in Fig.10.3.3. If the cylinder has a syphon pipe like that shown in the picture on the right, the liquid refrigerant can be charged with the cylinder standing upright. Therefore, give careful attention to the cylinder specifications. If the unit should be charged with gas refrigerant, replace all the refrigerant with new refrigerant. Do not use the refrigerant remaining in the cylinder.

[Fig. 10.3.3] (P.8)

- (A) Syphon pipe
- (B) In case of the R410A cylinder having no syphon pipe.

10.4. Thermal insulation of refrigerant piping

Be sure to add insulation work to refrigerant piping by covering liquid pipe and gas pipe separately with enough thickness heat-resistant polyethylene, so that no gap is observed in the joint between indoor unit and insulating material, and insulating materials themselves. When insulation work is insufficient, there is a possibility of condensation drip, etc. Pay special attention to insulation work in the ceiling plenum.

[Fig. 10.4.1] (P.8)

- (A) Steel wire
- (B) Piping
- (C) Asphaltic oily mastic or asphalt
- (D) Heat insulation material A
- (E) Outer covering B

Heat insulation material A	Glass fiber + Steel wire	
	Adhesive + Heat - resistant polyethylene foam + Adhesive tape	
Outer covering B	Indoor	Vinyl tape
	Floor exposed	Water-proof hemp cloth + Bronze asphalt
	Outdoor	Water-proof hemp cloth + Zinc plate + Oily paint

Note:

- **When using polyethylene cover as covering material, asphalt roofing shall not be required.**
- **No heat insulation must be provided for electric wires.**

[Fig. 10.4.2] (P.8)

- (A) Liquid pipe
- (B) Gas pipe
- (C) Electric wire
- (D) Finishing tape
- (E) Insulator

[Fig. 10.4.3] (P.8)

Penetrations

[Fig. 10.4.4] (P.8)

<A> Inner wall (concealed)	 Outer wall
<C> Outer wall (exposed)	<D> Floor (waterproofing)
<E> Roof pipe shaft	
<F> Penetrating portion on fire limit and boundary wall	
(A) Sleeve	(B) Heat insulating material
(C) Lagging	(D) Caulking material
(E) Band	(F) Waterproofing layer
(G) Sleeve with edge	(H) Lagging material
(I) Mortar or other incombustible caulking	
(J) Incombustible heat insulation material	

When filling a gap with mortar, cover the penetration part with steel plate so that the insulation material will not be caved in. For this part, use incombustible materials for both insulation and covering. (Vinyl covering should not be used.)

- Insulation materials for the pipes to be added on site must meet the following specifications:

	Pipe size	
	ø6.35 to 25.4 mm	ø28.58 to 41.28 mm
Thickness	10 mm min.	15 mm min.
Temperature Resistance	100°C min.	

- Installation of pipes in a high-temperature high-humidity environment, such as the top floor of a building, may require the use of insulation materials thicker than the ones specified in the chart above.
- When certain specifications presented by the client must be met, ensure that they also meet the specifications on the chart above.

11. Wiring (For details, refer to the installation manual of each unit and controller.)

11.1. Caution

- Follow ordinance of your governmental organization for technical standard related to electrical equipment, wiring regulations and guidance of each electric power company.
- Wiring for control (hereinafter referred to as transmission line) shall be (5 cm or more) apart from power source wiring so that it is not influenced by electric noise from power source wiring (Do not insert transmission line and power source wire in the same conduit).
- Be sure to provide designated grounding work to the outdoor unit.
- Give some allowance to wiring for electrical part box of indoor and outdoor units, because the box is sometimes removed at the time of service work.
- Never connect the main power source to terminal block of transmission line. If connected, electrical parts will burn out.
- Use 2-core shield cable for transmission line. If transmission lines of different systems are wired with the same multicore cable, the resultant poor transmitting and receiving will cause erroneous operations.
- Only the transmission line specified should be connected to the terminal block for outdoor unit transmission. Erroneous connection does not allow the system to operate.
- In the case of connecting with an upper class controller or to conduct group operation in different refrigerant systems, the control line for transmission is required between the outdoor units in different refrigerant systems. Connect this control line between the terminal blocks for centralized control (2-wire line with no polarity).
- Group is set by operating the remote controller.

11.2. Control box and connecting position of wiring

① Outdoor unit

- Remove the front panel of the control box by removing the 4 screws and pushing it up a little before pulling it out.
- Connect the indoor - outdoor transmission line to the terminal block (TB3) for the indoor - outdoor transmission line.
If multiple outdoor units are connected in the same refrigerant system, daisy-chain TB3 (M1, M2, ↗ Terminal) on the outdoor units. Connect the indoor - outdoor transmission line for the outdoor units to TB3 (M1, M2, ↗ Terminal) of only one of the outdoor units.
- Connect the transmission lines for centralized control (between the centralized control system and the outdoor unit of different refrigerant systems) to the terminal block for centralized control (TB7). If the multiple outdoor units are connected to the same refrigerant system, daisy-chain TB7 (M1, M2, S Terminal) on the outdoor units in the same refrigerant system. (*1)

*1: If TB7 on the outdoor unit in the same refrigerant system is not daisy-chained, connect the transmission line for centralized control to TB7 on the OC (*2). If the OC is out of order, or if the centralized control is being conducted during the power supply shut-off, daisy-chain TB7 on the OC, OS1, and OS2 (In the case that the outdoor unit whose power supply connector CN41 on the control board has been replaced with CN40 is out of order or the power is shut-off, centralized control will not be conducted even when TB7 is daisy-chained).

*2: OC, OS1, and OS2 of the outdoor units in the same refrigerant system are automatically identified. They are identified as OC, OS1, and OS2 in descending order of capacity (If the capacity is the same, they will be in ascending order of their address number).

- In the case of indoor-outdoor transmission line, connect the shield ground to the grounding terminal (↗). In the case of transmission lines for centralized control, connect it to the shield terminal (S) on the terminal block for centralized control (TB7). Furthermore, in the case of the outdoor units whose power supply connector CN41 is replaced with CN40, short circuit the shield terminal (S) and the grounding terminal (↗) in addition to the above.
- Fix the connected wires securely in place with the cable strap at the bottom of the terminal block. External force applied to the terminal block may damage it resulting in a short circuit, ground fault, or a fire.

[Fig. 11.2.1] (P.9)

- | | |
|------------------|-----------------------|
| (A) Power source | (B) Transmission line |
| (C) Earth screw | |

[Fig. 11.2.2] (P.9)

- | | |
|-----------------------|-----------------------|
| (A) Cable strap | (B) Power source line |
| (C) Transmission line | (D) Pillar |

② Conduit tube installation

- Open by hammering the knockout holes for the conduit tube located on the base and the bottom part of the front panel.
- When installing the conduit tube directly through the knockout holes, remove the burr and protect the tube with masking tape.
- Use the conduit tube to narrow down the opening if there is a possibility of small animals entering the unit.
- When taking the conduit tube out from the bottom part of the unit, caulk around the tube opening to prevent water penetration.

11.3. Wiring transmission cables

① Types of control cables

- Wiring transmission cables
 - Types of transmission cables: Shielding wire CVVS, CPEVS or MVVS
 - Cable diameter: More than 1.25 mm²
 - Maximum wiring length: Within 200 m
 - Maximum length of transmission lines for centralized control and indoor/outdoor transmission lines (Maximum length via outdoor units): 500 m MAX
The maximum length of the wiring between power supply unit for transmission lines (on the transmission lines for centralized control) and each outdoor unit and system controller is 200 m.
- Remote control cables

• ME Remote Controller

Kind of remote control cable	Sheathed 2-core cable (unshielded) CVV
Cable diameter	0.3 to 1.25 mm ² (0.75 to 1.25 mm ²)*
Remarks	When 10 m is exceeded, use cable with the same specifications as 1. Wiring transmission cables.

• MA Remote Controller

Kind of remote control cable	Sheathed 2-core cable (unshielded) CVV
Cable diameter	0.3 to 1.25 mm ² (0.75 to 1.25 mm ²)*
Remarks	Within 200 m

- * Connected with simple remote controller.

② **Wiring examples**

- Controller name, symbol and allowable number of controllers.

	Name	Code	Possible unit connections
Outdoor unit	Main unit	OC	– (*2)
	Sub unit	OS1, OS2	– (*2)
Indoor unit	Indoor unit controller	IC	1 to 32 units per 1 OC (*1)
Remote controller	Remote controller (*1)	RC	2 units maximum per group
Other	Transmission booster unit	RP	0 to 1 unit per 1 OC (*1)

*1 A transmission booster (RP) may be required depending on the number of connected indoor unit controllers.

*2 OC, OS1, and OS2 of the outdoor units in the same refrigerant system are automatically identified. They are identified as OC, OS1, and OS2 in descending order of capacity. (If the capacity is the same, they will be in ascending order of their address number.)

Example of a group operation system with multiple outdoor units (Shielding wires and address setting are necessary.)

<Examples of transmission cable wiring>

[Fig. 11.3.1] ME Remote Controller (P.9)

*1: When the power supply unit is not connected to the transmission line for centralized control, disconnect the male power supply connector (CN41) from ONE outdoor unit in the system and connect it to CN40.

*2: If a system controller is used, set SW2-1 on all of the outdoor units to ON.

[Fig. 11.3.2] MA Remote Controller (P.10)

<A> Change the jumper connector from CN41 to CN40

 SW2-1:ON

<C> Keep the jumper connector on CN41

(A) Group 1

(B) Group 3

(C) Group 5

(D) Shielded wire

(E) Sub remote controller

() Address

[Fig. 11.3.3] Combination of outdoor units and transmission booster unit (P.10)

<Wiring Method and Address Settings>

- Always use shielded wire when making connections between the outdoor unit (OC) and the indoor unit (IC), as well for all OC-OC, OC-OS, OS-OS, and IC-IC wiring intervals.
- Use feed wiring to connect terminals M1 and M2 and the earth terminal \uparrow on the transmission line terminal block (TB3) of each outdoor unit (OC) to terminals M1, M2 and terminal S on the transmission line block of the indoor unit (IC). For OC and OS, connect TB3 to TB3.
- Connect terminals 1 (M1) and 2 (M2) on the transmission line terminal block of the indoor unit (IC) that has the most recent address within the same group to the terminal block on the remote controller (RC).
- Connect together terminals M1, M2 and terminal S on the terminal block for central control (TB7) for the outdoor unit in a different refrigerant system (OC). For OC and OS in the same refrigerant system, connect TB7 to TB7.
- When the power supply unit is not installed on the central control transmission line, change the jumper connector on the control board from CN41 to CN40 on only one outdoor unit in the system.
- Connect the terminal S on the terminal block for central control (TB7) for the outdoor unit (OC) for the unit into which the jumper connector was inserted into CN40 in the step above to the earth terminal \uparrow in the electrical component box.
- Set the address setting switch as follows.

* To set the outdoor unit address to 100, the outdoor address setting switch must be set to 50.

Unit	Range	Setting Method
Indoor unit (Main)	01 to 50	Use the most recent address within the same group of indoor units.
Indoor unit (Sub)	01 to 50	Use an address, other than that of the IC (Main) from among the units within the same group of indoor units. This must be in sequence with the IC (Main).
Outdoor Unit (OC, OS)	51 to 100	Set the addresses of the outdoor units in the same refrigerant system in the order of sequential number. OC, OS1, and OS2 are automatically identified. (*1)
ME R/C (Main)	101 to 150	Set at an IC (Main) address within the same group plus 100.
ME R/C (Sub)	151 to 200	Set at an IC (Main) address within the same group plus 150.
MA R/C	–	Unnecessary address setting (Necessary main/sub setting)

- The group setting operations among the multiple indoor units is done by the remote controller (RC) after the electrical power has been turned on.
- When the centralized remote controller is connected to the system, set centralized control switches (SW2-1) on control boards in all outdoor units (OC, OS) to "ON".

*1 OC, OS1, and OS2 of the outdoor units in the same refrigerant system are automatically identified. They are identified as OC, OS1, and OS2 in descending order of capacity (If the capacity is the same, they are identified in the ascending order of their address number).

<Permissible Lengths>

① **ME Remote controller**

- Max length via outdoor units: $L_1+L_2+L_3+L_4$ and $L_1+L_2+L_3+L_5$ and $L_1+L_2+L_6 \leq 500$ m (1.25 mm² or more)
- Max transmission cable length: L_1 and L_3+L_4 and L_3+L_5 and L_6 and $L_2+L_6 \leq 200$ m (1.25 mm² or more)
- Remote controller cable length: $l_1, l_2, l_3, l_4 \leq 10$ m (0.3 to 1.25 mm²)
If the length exceeds 10 m, use a 1.25 mm² shielded wire. The length of this section (L₆) should be included in the calculation of the maximum length and overall length.

② **MA Remote controller**

- Max length via outdoor unit (M-NET cable): $L_1+L_2+L_3+L_4$ and $L_1+L_2+L_6 \leq 500$ m (1.25 mm² or more)
- Max transmission cable length (M-NET cable): L_1 and L_3+L_4 and L_6 and $L_2+L_6 \leq 200$ m (1.25 mm² or more)
- Remote controller cable length: m_1+m_2 and $m_1+m_2+m_3+m_4 \leq 200$ m (0.3 to 1.25 mm²)

③ **Transmission booster**

- Max transmission cable length (M-NET cable): ① $L_1+L_2+L_3+L_5+L_6 \leq 200$ m (1.25 mm²)
② $L_1+L_2+L_3+L_5+L_7 \leq 200$ m (1.25 mm²)
③ $L_1+L_2+L_4 \leq 200$ m (1.25 mm²)
④ $L_6+L_5+L_3+L_4, L_4+L_3+L_5+L_7 \leq 200$ m (1.25 mm²)

- Remote controller cable length: $\ell_1, \ell_2 \leq 10$ m (0.3 to 1.25 mm²)
If the length exceeds 10 m, use 1.25 mm² shielded cable and calculate the length of that portion (L4 and L7) as within the total extended length and the longest remote length.

11.4. Wiring of main power supply and equipment capacity

Schematic Drawing of Wiring (Example)

[Fig. 11.4.1] (P.10)

- (A) Switch (Breakers for wiring and current leakage) (B) Breakers for current leakage (C) Outdoor unit
(D) Pull box (E) Indoor unit

Thickness of wire for main power supply, capacities of the switch and system impedance

	Model	Minimum wire thickness (mm ²)			Breaker for current leakage	Local switch(A)		Breaker for wiring (NFB) (A)	Max. Permissible System Impedance
		Main cable	Branch	Ground		Capacity	Fuse		
Outdoor unit	PUHY-(E)P200YJM	4.0	-	4.0	30A 100mA 0.1sec. or less	25	25	30	*1
	PUHY-(E)P250YJM	4.0	-	4.0	30A 100mA 0.1sec. or less	32	32	30	*1
	PUHY-(E)P300YJM	4.0	-	4.0	30A 100mA 0.1sec. or less	32	32	30	*1
	PUHY-P350YJM	6.0	-	6.0	40A 100mA 0.1sec. or less	40	40	40	0.27 Ω
	PUHY-P400YJM	10.0	-	10.0	60A 100mA 0.1sec. or less	63	63	60	0.22 Ω
	PUHY-P450YJM	10.0	-	10.0	60A 100mA 0.1sec. or less	63	63	60	0.19 Ω
Total operating current of the indoor unit	F0=20A or less*2	1.5	1.5	1.5	20 A current sensitivity *3	20	20	20	(apply to IEC 61000-3-3)
	F0=30A or less*2	2.5	2.5	2.5	30 A current sensitivity *3	30	30	30	(apply to IEC 61000-3-3)
	F0=40A or less*2	4.0	4.0	4.0	40 A current sensitivity *3	40	40	40	(apply to IEC 61000-3-3)

*1: Meets technical requirements of IEC61000-3-3

*2: Please take the larger of F1 or F2 as the value for F0.

F1 = Total operating maximum current of the indoor units x 1.2

$$F2 = \boxed{V1 \times \text{Quantity of Type A}} + \boxed{V1 \times \text{Quantity of Type B}} + \boxed{V1 \times \text{Quantity of Others}}$$

Indoor unit		V1
Type A	PLFY-VBM, PMFY-VBM, PEFY-VMS, PCFY-VKM, PKFY-VHM, PKFY-VKM, PFFY-VKM, PFFY-VLRMM	1.6
Type B	PEFY-VMA	3.2
Others	Other indoor unit	0

*3: Current sensitivity is calculated using the following formula.

$$G1 = \boxed{V2 \times \text{Quantity of Type 1}} + \boxed{V2 \times \text{Quantity of Type 2}} + \boxed{V2 \times \text{Quantity of Others}} + \boxed{V3 \times \text{Wire length [km]}}$$

G1	Current sensitivity
30mA or less	30mA 0.1sec or less
100mA or less	100mA 0.1sec or less

Indoor unit		V2
Type 1	PLFY-VBM, PMFY-VBM, PEFY-VMS, PCFY-VKM, PKFY-VHM, PKFY-VKM, PFFY-VKM, PFFY-VLRMM	2.4
Type 2	PEFY-VMA	1.6
Others	Other indoor unit	0

Wire thickness	V3
1.5 mm ²	48
2.5 mm ²	56
4.0 mm ²	66

- Use dedicated power supplies for the outdoor unit and indoor unit. Ensure OC and OS are wired individually.
- Bear in mind ambient conditions (ambient temperature, direct sunlight, rain water, etc.) when proceeding with the wiring and connections.
- The wire size is the minimum value for metal conduit wiring. If the voltage drops, use a wire that is one rank thicker in diameter.
Make sure the power-supply voltage does not drop more than 10%.
- Specific wiring requirements should adhere to the wiring regulations of the region.
- Power supply cords of parts of appliances for outdoor use shall not be lighter than polychloroprene sheathed flexible cord (design 245 IEC57).
- A switch with at least 3 mm contact separation in each pole shall be provided by the Air Conditioner installer.

⚠ Warning:

- Be sure to use specified wires for connections and ensure no external force is imparted to terminal connections. If connections are not fixed firmly, heating or fire may result.
- Be sure to use the appropriate type of overcurrent protection switch. Note that generated overcurrent may include some amount of direct current.

⚠ Caution:

- Some installation sites may require attachment of an earth leakage breaker for the inverter. If no earth leakage breaker is installed, there is a danger of electric shock.
- Do not use anything other than a breaker and fuse with the correct capacity. Using a fuse or wire of too large capacity may cause malfunction or fire.

Note:

- This device is intended for the connection to a power supply system with a maximum permissible system impedance shown in the above table at the interface point (power service box) of the user's supply.
- The user must ensure that this device is connected only to a power supply system which fulfils the requirement above.
If necessary, the user can ask the public power supply company for the system impedance at the interface point.
- This equipment complies with IEC 61000-3-12 provided that the short-circuit power S_{sc} is greater than or equal to $S_{sc} (*2)$ at the interface point between the user's supply and the public system. It is the responsibility of the installer or user of the equipment to ensure, by consultation with the distribution network operator if necessary, that the equipment is connected only to a supply with a short-circuit power S_{sc} greater than or equal to $S_{sc} (*2)$.

$S_{sc} (*2)$

Model	S_{sc} (MVA)
PUHY-(E)P200YJM	1.24
PUHY-P250YJM	1.41
PUHY-EP250YJM	1.27
PUHY-P300YJM	1.70
PUHY-EP300YJM	1.51
PUHY-P350YJM	2.08
PUHY-P400YJM	2.48
PUHY-P450YJM	2.92

12. Test run

12.1. The following phenomena do not represent faults.

Phenomenon	Display of remote controller	Cause
Indoor unit does not perform cooling (heating) operation.	"Cooling (heating)" flashes	When another indoor unit is performing the heating (cooling) operation, the cooling (heating) operation is not performed.
The auto vane rotates and begins to blow air horizontally.	Normal display	If air has been blowing downward for 1 hour during cooling, the unit may automatically change to horizontal blowing with the control operation of the auto vane. During defrosting or immediately after heating start-up/shut-down, the auto vane automatically rotates to blow air horizontally for a short period of time.
Fan setting changes during heating.	Normal display	Ultra-low speed operation is commenced at thermostat OFF. Light air automatically changes over to set value by time or piping temperature at thermostat ON.
Fan stops during heating operation.	Defrost display	The fan is to stop during defrosting.
Fan does not stop while operation has been stopped.	No lighting	The fan is set to run for 1 minute after stopping to exhaust residual heat (only in heating).
No setting of fan while start SW has been turned on.	Heat ready	Ultra low-speed operation for 5 minutes after SW ON or until piping temperature becomes 35°C, low speed operation for 2 minutes thereafter, and then set notch is commenced (Hot adjust control).
Indoor unit remote controller shows "H0" or "PLEASE WAIT" indicator for about five minutes when turning ON universal power supply.	"H0" or "PLEASE WAIT" flashes	The system is being started up. Operate remote controller again after "H0" or "PLEASE WAIT" disappear.
Drain pump does not stop when unit is stopped.	Light out	After cooling operation stops, the unit continues to operate drain pump for three minutes and then stops it.
Drain pump continues to operate while unit has been stopped.		Unit continues to operate drain pump if drainage is generated, even during a stop.
Indoor unit emits noise when switching from heating to cooling and vice versa.	Normal display	This is a switching sound of the refrigerant circuit and does not imply a problem.
Immediately after startup, the indoor unit emits the sound of the refrigerant flow.	Normal display	Unstable flow of the refrigerant emits a sound. This is temporary and does not imply a problem.
Warm air comes from an indoor unit that is not performing a heating operation.	Normal display	The LEV is slightly open to prevent refrigerant, of the indoor unit that is not performing the heating operation, from being liquefied. This does not imply a problem.

13. Information on rating plate

Model	P200YJM-A	P250YJM-A	P300YJM-A	P350YJM-A	P400YJM-A	P450YJM-A
Unit combination	-	-	-	-	-	-
Refrigerant (R410A)	6.5kg	8.0kg	8.0kg	11.5kg	11.5kg	11.8kg
Allowable pressure (Ps)	HP: 4.15MPa, LP: 2.21MPa					
Net weight	190kg	200kg	215kg	250kg	250kg	290kg

Model	P500YSJM-A		P500YSJM-A1		P550YSJM-A	
Unit combination	P250	P250	P300	P200	P300	P250
Refrigerant (R410A)	8.0kg	8.0kg	8.0kg	6.5kg	8.0kg	8.0kg
Allowable pressure (Ps)	HP: 4.15MPa, LP: 2.21MPa					
Net weight	200kg	200kg	215kg	190kg	215kg	200kg

Model	P600YSJM-A		P600YSJM-A1		P650YSJM-A	
Unit combination	P350	P250	P300	P300	P350	P300
Refrigerant (R410A)	11.5kg	8.0kg	8.0kg	8.0kg	11.5kg	8.0kg
Allowable pressure (Ps)	HP: 4.15MPa, LP: 2.21MPa					
Net weight	250kg	200kg	215kg	215kg	250kg	215kg

Model	P700YSJM-A		P700YSJM-A1		P750YSJM-A	
Unit combination	P350	P350	P400	P300	P400	P350
Refrigerant (R410A)	11.5kg	11.5kg	11.5kg	8.0kg	11.5kg	11.5kg
Allowable pressure (Ps)	HP: 4.15MPa, LP: 2.21MPa					
Net weight	250kg	250kg	250kg	215kg	250kg	250kg

Model	P800YSJM-A		P800YSJM-A1		P850YSJM-A		P900YSJM-A	
Unit combination	P450	P350	P400	P400	P450	P400	P450	P450
Refrigerant (R410A)	11.8kg	11.5kg	11.5kg	11.5kg	11.8kg	11.5kg	11.8kg	11.8kg
Allowable pressure (Ps)	HP: 4.15 MPa, LP: 2.21 MPa							
Net weight	290 kg	250 kg	250kg	250kg	290kg	250kg	290kg	290kg

Model	P950YSJM-A			P1000YSJM-A		
Unit combination	P400	P300	P250	P400	P300	P300
Refrigerant (R410A)	11.5kg	8.0kg	8.0kg	11.5kg	8.0kg	8.0kg
Allowable pressure (Ps)	HP: 4.15MPa, LP: 2.21MPa					
Net weight	250kg	215kg	200kg	250kg	215kg	215kg

Model	P1050YSJM-A			P1100YSJM-A		
Unit combination	P400	P350	P300	P400	P350	P350
Refrigerant (R410A)	11.5kg	11.5kg	8.0kg	11.5kg	11.5kg	11.5kg
Allowable pressure (Ps)	HP: 4.15MPa, LP: 2.21MPa					
Net weight	250kg	250kg	215kg	250kg	250kg	250kg

Model	P1150YSJM-A			P1200YSJM-A		
Unit combination	P450	P350	P350	P450	P400	P350
Refrigerant (R410A)	11.8kg	11.5kg	11.5kg	11.8kg	11.5kg	11.5kg
Allowable pressure (Ps)	HP: 4.15MPa, LP: 2.21MPa					
Net weight	290kg	250kg	250kg	290kg	250kg	250kg

Model	P1250YSJM-A			EP200YJM-A	EP250YJM-A	EP300YJM-A
Unit combination	P450	P450	P350	-	-	-
Refrigerant (R410A)	11.8kg	11.8kg	11.5kg	8.0kg	11.5kg	11.8kg
Allowable pressure (Ps)	HP: 4.15 MPa, LP: 2.21 MPa					
Net weight	290kg	290kg	250kg	200kg	250kg	290kg

Model	EP400YSJM-A		EP450YSJM-A		EP500YSJM-A	
Unit combination	EP200	EP200	EP250	EP200	EP300	EP200
Refrigerant (R410A)	8.0kg	8.0kg	11.5kg	8.0kg	11.8kg	8.0kg
Allowable pressure (Ps)	HP: 4.15 MPa, LP: 2.21 MPa					
Net weight	200kg	200kg	250kg	200kg	290kg	200kg

Model	EP500YSJM-A1		EP550YSJM-A		EP600YSJM-A	
Unit combination	EP250	EP250	EP300	EP250	EP300	EP300
Refrigerant (R410A)	11.5kg	11.5kg	11.8kg	11.5kg	11.8kg	11.8kg
Allowable pressure (Ps)	HP: 4.15 MPa, LP: 2.21 MPa					
Net weight	250kg	250kg	290kg	250kg	290kg	290kg

Model	EP650YSJM-A			EP700YSJM-A		
Unit combination	EP250	EP200	EP200	EP300	EP200	EP200
Refrigerant (R410A)	11.5kg	8.0kg	8.0kg	11.8kg	8.0kg	8.0kg
Allowable pressure (Ps)	HP: 4.15 MPa, LP: 2.21 MPa					
Net weight	250kg	200kg	200kg	290kg	200kg	200kg

Model	EP700YSJM-A1			EP750YSJM-A		
Unit combination	EP250	EP250	EP200	EP300	EP250	EP200
Refrigerant (R410A)	11.5kg	11.5kg	8.0kg	11.8kg	11.5kg	8.0kg
Allowable pressure (Ps)	HP: 4.15 MPa, LP: 2.21 MPa					
Net weight	250kg	250kg	200kg	290kg	250kg	200kg

Model	EP750YSJM-A1			EP800YSJM-A		
Unit combination	EP250	EP250	EP250	EP300	EP300	EP200
Refrigerant (R410A)	11.5kg	11.5kg	11.5kg	11.8kg	11.8kg	8.0kg
Allowable pressure (Ps)	HP: 4.15 MPa, LP: 2.21 MPa					
Net weight	250kg	250kg	250kg	290kg	290kg	200kg

Model	EP800YSJM-A1			EP850YSJM-A		
Unit combination	EP300	EP250	EP250	EP300	EP300	EP250
Refrigerant (R410A)	11.8kg	11.5kg	11.5kg	11.8kg	11.8kg	11.5kg
Allowable pressure (Ps)	HP: 4.15 MPa, LP: 2.21 MPa					
Net weight	290kg	250kg	250kg	290kg	290kg	250kg

Model	EP900YSJM-A		
Unit combination	EP300	EP300	EP300
Refrigerant (R410A)	11.8kg	11.8kg	11.8kg
Allowable pressure (Ps)	HP: 4.15 MPa, LP: 2.21 MPa		
Net weight	290kg	290kg	290kg

MANUFACTURER: MITSUBISHI ELECTRIC CORPORATION

AIR-CONDITIONING & REFRIGERATION SYSTEMS WORKS 5-66, TEBIRA, 6-CHOME, WAKAYAMA CITY, JAPAN

Содержание

1. Меры предосторожности	117	10. Зарядка дополнительного количества хладагента	122
1.1. До установки и монтажа проводки	117	10.1. Расчет необходимого количества хладагента	122
1.2. Меры предосторожности для приборов, в которых используется хладагент R410A	118	10.2. Меры предосторожности при соединении труб и работе с клапанами	123
1.3. Перед установкой	118	10.3. Проверка на герметичность, вакуумирование и зарядка хладагентом	124
1.4. Перед монтажом или переносом проводки	118	10.4. Термоизоляция труб хладагента	124
1.5. Перед началом тестового запуска	118	11. Проводка (Для получения информации см. руководство по установке каждого блока и пульта управления.)	125
2. Информация об изделии	118	11.1. Внимание	125
3. Комбинация наружных блоков	119	11.2. Панель управления и места подсоединения проводки	125
4. Технические характеристики	119	11.3. Подсоединение кабелей передачи данных	125
5. Подтверждение комплектности	120	11.4. Подсоединение основной проводки питания и характеристики оборудования	127
6. Требования к пространству вокруг блока	120	12. Тестовый запуск	128
7. Способ поднимания	120	12.1. Следующие явления не являются признаками неисправностей	128
8. Установка блока	121	13. Информация на табличке параметров	128
8.1. Установка	121		
9. Установка трубопроводов	121		
9.1. Внимание	121		
9.2. Установка трубопроводов хладагента	122		

1. Меры предосторожности

1.1. До установки и монтажа проводки

- ▶ Перед установкой системы необходимо внимательно ознакомиться с разделом “Меры предосторожности”.
- ▶ Раздел “Меры предосторожности” содержит важную информацию по безопасности. Правила безопасности следует соблюдать в обязательном порядке.

Символы, используемые в тексте

Предупреждение:

Несоблюдение данных предупреждений может привести к травмированию людей или летальному исходу.

Внимание:


Несоблюдение данных инструкций может привести к выходу оборудования из строя.


Символы, используемые в иллюстрациях

 : Служит для обозначения действий, запрещенных к выполнению.

 : Служит для обозначения инструкций, подлежащих выполнению.

 : Служит для обозначения узла, который должен быть заземлен.

 : Указывает на опасность поражения электрическим током. (Данный символ отображается на предупреждающей наклейке, закрепленной на основном блоке.) <Цвет: желтый>

-  **Предупреждение:**
Внимательно ознакомьтесь с содержанием предупреждающих табличек на основном блоке.

ПРЕДУПРЕЖДЕНИЕ О ВЫСОКОМ НАПРЯЖЕНИИ:

- В блоке управления содержатся узлы под высоким напряжением.
- При открывании передней панели следует принять меры к исключению их контакта с внутренними компонентами.
- Перед тем как приступить к осмотру внутренней части блока управления, необходимо отключить питание не менее, чем на 10 минут, и убедиться в том, что напряжение между блоками FT-P и FT-N на плате инвертора упало ниже 20 вольт. (Помните, что после выключения питания в системе в течение 10 минут сохраняется опасное для жизни напряжение.)

Предупреждение:

- Установка кондиционера воздуха должна производиться силами специалистов дилерского центра либо другим специалистом, обладающим соответствующей квалификацией.
 - Ненадлежащая установка самим пользователем может стать причиной утечки воды, поражения электрическим током, возгорания и т.д.
- Данное устройство не предназначено для использования лицами (включая детей) со сниженными физическими, сенсорными и умственными способностями, а также лицами, без достаточных знаний и опыта, за исключением случаев, когда устройство используется под присмотром или руководством человека, ответственного за безопасность таких лиц.
- Монтаж должен осуществляться на таком месте, которое является достаточно прочным, чтобы выдержать вес кондиционера.
 - Невыполнение данного условия может привести к падению кондиционера и травмированию людей.
- Для проводки используйте только специальные кабели. Убедитесь в надежности подсоединения и в том, что внешние силы, прикладываемые к кабелю, не передаются на клеммы.
 - Ненадлежащим образом выполненные подсоединения и слабая затяжка могут вызвать нагрев и последующее возгорание.
- Монтаж производится в специально предназначенном месте, с запасом прочности на случай сильных ветров и землетрясений.

- Нарушение правил монтажа может привести к падению кондиционера и травмированию людей.
- Фильтры и аксессуары, указанные компанией Mitsubishi Electric, должны использоваться в обязательном порядке.
 - Для установки аксессуаров необходимо обратиться к помощи квалифицированного специалиста. Ненадлежащая установка самим пользователем может стать причиной утечки воды, поражения электрическим током, возгорания и т.д.
- Запрещается ремонтировать кондиционер самостоятельно. При необходимости выполнения ремонта следует обратиться в дилерский центр.
 - Ненадлежащим образом выполненный ремонт может стать причиной утечки воды, поражения электрическим током, возгорания и т.д.
- Если провод питания поврежден, производитель, обслуживающий персонал производителя или квалифицированный персонал должен его заменить, чтобы исключить опасность для пользователей.
- Запрещается прикасаться к ребрам теплообменника.
 - Нарушение правил обращения с изделием может стать причиной травмирования.
- При возникновении утечки хладагента во время проведения монтажных работ необходимо проверить помещение.
 - В результате контактирования хладагента с открытым огнем происходит выделение ядовитых газов.
- Установка кондиционера воздуха должна производиться в полном соответствии с Руководством по установке.
 - Ненадлежащим образом выполненная установка может стать причиной утечки воды, поражения электрическим током, возгорания и т.д.
- Все работы, связанные с электричеством, должны выполняться квалифицированным электриком в полном соответствии с “Электротехническими стандартами” и “Нормами проведения внутренней проводки” и инструкциями, указанными в Руководстве по установке. Характеристики электропитания должны строго соответствовать рекомендованным.
 - Несоответствие характеристик подаваемого питания рекомендованным или нарушение правил установки могут привести к сбоям в работе кондиционера, поражению электрическим током или возгоранию.
- Надежно установите крышку (панель) разъемов наружного блока.
 - Неправильная установка крышки (панели) наружного блока приведет к попаданию пыли и воды в наружный блок, что может послужить причиной возгорания или поражения электрическим током.
- При установке или переносе кондиционера воздуха на другое место для его заправки следует применять только хладагент, рекомендованный к применению с данным кондиционером.
 - Использование иного хладагента, а также проникновение воздуха в систему приведет к нарушениям его циркуляции и выходу кондиционера из строя.
- При установке кондиционера воздуха в небольшом помещении следует предварительно провести измерения и убедиться в том, что в случае аварийной утечки в этом помещении не будет превышена предельно допустимая концентрация паров хладагента.
 - Для получения информации по размерам помещения обратитесь в дилерский центр. Превышение концентрации паров хладагента в случае его аварийной утечки повлечет за собой недопустимое снижение содержания кислорода в воздухе.
- Перед проведением работ по перемещению или повторной его установке необходимо проконсультироваться с сотрудниками дилерского центра или квалифицированным специалистом.
 - Ненадлежащим образом выполненная установка может стать причиной утечки воды, поражения электрическим током, возгорания и т.д.
- После окончания монтажных работ следует убедиться в отсутствии утечки хладагента.
 - Контакт хладагента с нагревательными приборами, кухонной плитой и иными источниками тепла может привести к выделению токсичных газов.
- Запрещается вносить любые изменения в конструкцию защитных устройств и изменять их настройки.
 - Короткое замыкание реле давления, теплового реле и иных защитных устройств, приложение к ним физического воздействия, равно как применение компонентов, отличных от указанных компанией Mitsubishi Electric, может привести к возгоранию или взрыву.
- По вопросам, связанным с утилизацией данного изделия следует обращаться в дилерский центр.
- Мастер монтажа и электрик должны обеспечить защиту системы от протечек в соответствии с требованиями местного законодательства и стандартов.
 - Характеристики проводки и основного выключателя питания применимы в том случае, если отсутствуют местные стандарты.

- Особое внимание необходимо уделять области установки изделия, и особенно его основанию, где возможно скопление паров охлаждающего газа, который тяжелее воздуха.
- Необходимо с особой тщательностью выбирать место установки изделий с наружным блоком, снабженным функцией подачи наружного воздуха во внутренний блок, поскольку при отключении термостата наружный воздух может беспрепятственно попадать в помещение.
 - Пдача наружного воздуха в помещении может иметь нежелательные последствия для людей или продуктов питания.
- Необходимо наблюдать за детьми, чтобы они не играли с устройством.

1.2. Меры предосторожности для приборов, в которых используется хладагент R410A

⚠ Внимание:

- **Не используйте имеющиеся трубы хладагента.**
 - Использование старых труб хладагента и старого холодильного масла, содержащих большое количество хлора, может привести к ухудшению эксплуатационных качеств холодильного масла нового блока.
 - R410A является хладагентом высокого давления, что может привести к разрыву существующих труб.
- **Используйте трубы из раскисленной фосфором меди и бесшовные трубы, выполненные из латуни.** Кроме этого убедитесь, что внутренняя и внешняя поверхность труб чистая, без частиц серы, окисей, пыли/грязи, частиц стружки, масел, влаги или других загрязнений.
 - Загрязнение внутренней поверхности труб хладагента может вызвать ухудшение качеств компрессорного масла.
- **Храните предназначенные для установки трубы в помещении, герметически закрытыми с обоих концов до припайки.** (изменения и другие соединения храните в пластиковом пакете.)
 - Попадание в контур охлаждения пыли, грязи или воды, может привести к ухудшению эксплуатационных качеств масла и выходу компрессора из строя.
- **Нанесите небольшое количество сложного или простого эфира или алкилбензола на патрубки и фланцевые соединения.** (для внутренних блоков)
 - Холодильное масло потеряет свои свойства при смешивании с большим количеством минерального масла.
- **Используйте для зарядки системы жидкий хладагент.**
 - При использовании газообразного хладагента для зарядки системы, состав хладагента в баллоне изменится, а рабочие показатели прибора могут ухудшиться.
- **Разрешается использовать исключительно хладагент R410A.**
 - При использовании другого хладагента (например, R22) в смеси с R410A, наличие в нем хлора может привести к ухудшению эксплуатационных качеств холодильного масла.
- **Используйте вакуумный насос с обратным клапаном.**
 - Проникновение масла вакуумного насоса в контур охлаждения может привести к ухудшению эксплуатационных качеств холодильного масла.
- **Запрещается использовать следующие инструменты, применяемые с обычными видами хладагента.** (Штуцер манометра, заправочный шланг, течеискатель, обратный клапан, заправочное основание, оборудование для сбора хладагента)
 - Попадание обычного хладагента и холодильного масла в R410A может привести к ухудшению эксплуатационных свойств хладагента.
 - Попадание воды в R410A приведет к ухудшению эксплуатационных свойств холодильного масла.
 - Поскольку в состав R410A хлорин не входит, течеискатели, используемые для работы с обычными хладагентами, не применимы.
- **Запрещается использовать заправочные баллоны.**
 - Использование заправочного баллона может привести к ухудшению эксплуатационных свойств хладагента.
- **При работе с инструментом следует принимать меры предосторожности.**
 - Попадание в холодильный контур пыли, грязи или воды может привести к ухудшению эксплуатационных свойств хладагента.

1.3. Перед установкой

⚠ Внимание:

- **Запрещается устанавливать этот блок в местах, где возможна утечка огнеопасных газов.**
 - Утечка газа и его скопление возле кондиционера может привести к взрыву.
- **Не используйте кондиционер в местах хранения продуктов питания, точных инструментов, произведений искусств, а также местах нахождения домашних животных и растений.**
 - Это может вызвать, например, порчу продуктов питания.
- **Не используйте кондиционер воздуха в особых условиях эксплуатации.**
 - Наличие масел, пара, испарений серы и т.д. может вызвать значительное ухудшение рабочих показателей кондиционера или выход его компонентов из строя.
- **При установке прибора в больнице, на станции связи или в аналогичном помещении обеспечьте достаточную защиту от шума.**
 - Преобразовательное оборудование, частный электрогенератор, высоковольтное медицинское оборудование или оборудование для радиосвязи могут вызвать сбой в работе кондиционера или его отключение. С другой стороны, кондиционер может мешать работе

2. Информация об изделии

- В данном изделии применяется хладагент R410A.
- Схема трубных соединений систем, использующих хладагент R410A может отличаться от систем, использующих хладагенты обычного типа, поскольку рабочее давление систем, использующих R410A, выше. Для получения дополнительной информации см. технические характеристики.
- Некоторые инструменты и устройства, применяемые для монтажа систем с другими типами хладагента, не могут использоваться с системами, в которых используется R410A. Для получения дополнительной информации см. технические характеристики.

такого оборудования создаваемым шумом, который нарушает ход медицинских процедур или радиовещания.

- **Не устанавливайте изделие на конструкции, которые могут вызвать утечку.**
 - При влажности в помещении свыше 80% или при засорении дренажной трубы с внутреннего блока может капать конденсат. Дренаж внутреннего и наружного блоков выполняется одновременно, по необходимости.

1.4. Перед монтажом или переносом проводки

⚠ Внимание:

- **Заземлите изделие.**
 - Не подсоединяйте провод заземления к газовой трубе, водной трубе, громоотводу или линии заземления телефонной проводки. Неправильное выполнение заземление может стать причиной поражения электрическим током.
- **Соблюдайте полярность.**
 - **Запрещается подсоединять провода питания L1, L2 и L3 к выводу N.**
 - Если подключение проводки выполнено неправильно, при подаче напряжения некоторые электрические компоненты могут выйти из строя.
- **Проложите сетевую кабель так, чтобы он не был натянут.**
 - Натяжение может привести к разрыву кабеля и стать причиной перегрева и возгорания.
- **Надежным образом установите основной автоматический выключатель.**
 - Отсутствие выключателя может привести к поражению электрическим током.
- **Используйте провода питания с рекомендованными характеристиками.**
 - Кабели слишком малой мощности могут прогореть, вызвать перегрев и пожар.
- **Используйте автоматический выключатель и предохранитель с рекомендованными характеристиками.**
 - Использование автоматического выключателя или предохранителя большего номинального тока, а также применение самодельных устройств может привести к выходу изделия из строя или возгоранию.
- **Запрещается мыть блок кондиционера.**
 - Невыполнение этого требования может привести к поражению электрическим током.
- **В течение всего срока эксплуатации следует проверять состояние монтажного основания кондиционера.**
 - Потеря свойств основания может привести к падению блока с возможным травмированием людей или порчей имущества.
- **Для обеспечения правильного дренарования установка дренажных трубок должна производиться в полном соответствии с Руководством по установке.**
 - Во избежание конденсации влаги трубы должны быть изолированы.
 - Неправильная установка дренажной системы может привести к утечке воды и порче мебели или иного личного имущества.
- **Будьте очень внимательным при транспортировке изделия.**
 - Запрещается переносить изделие силами одного человека. Его масса превышает 20 кг.
 - Для упаковки некоторых изделий используются пластиковые ленты. Не применяйте их для транспортировки. Это опасно.
 - Запрещается прикасаться к ребрам теплообменника. Вы можете порезаться.
 - При перемещении наружного прибора подвешивайте его в указанных точках основания прибора. Также поддерживайте его в четырех точках, чтобы исключить соскальзывание.
- **Утилизируйте упаковочные материалы с соблюдением правил безопасности.**
 - Такие упаковочные материалы, как гвозди и другие металлические или деревянные предметы, могут причинить порезы и иные травмы.
 - Порвите пластиковый упаковочный пакет и утилизируйте так, чтобы он был недоступен детям. Не позволяйте детям играть с пластиковой упаковкой, это грозит летальным исходом от удушья.

1.5. Перед началом тестового запуска

⚠ Внимание:

- **Подключите электропитание не менее чем за 12 часов до начала работы.**
 - Запуск сразу после подключения сетевого питания может серьезно повредить внутренние компоненты изделия. Сетевой выключатель должен оставаться включенным в течение всего периода эксплуатации изделия. Строго соблюдайте полярность всех подключений.
- **Не прикасайтесь к выключателям мокрыми руками.**
 - Прикосновение к выключателю мокрыми руками может привести к поражению электрическим током.
- **Не прикасайтесь к трубам хладагента во время работы и сразу после выключения прибора.**
 - В течение и сразу после эксплуатации прибора трубы хладагента могут быть горячими или холодными, в зависимости от условий протекающего в трубах, компрессоре и других компонентах холодильного контура. Вы можете обжечь или обморозить руки при прикосновении к трубам хладагента.
- **Не используйте кондиционер воздуха, если его панели и крышки сняты.**
 - Движущиеся, горячие части или части под напряжением могут причинить травму.
- **Не отключайте питание немедленно после выключения прибора.**
 - Следует выждать не менее пяти минут до отключения питания. Иначе может возникнуть утечка воды и иные неисправности.
- **Во время обслуживания не прикасайтесь к компрессору.**
 - Если питание подключено, то нагревательное устройство, расположенное в основании компрессора, может работать.

- Использование старых труб с остатками хлора, который содержится в обычном холодильном масле и хладагенте, может привести к порче холодильного масла хладагента нового прибора. Наличие хлора вызовет ухудшение свойств холодильного масла новой установки. Также существующие трубы не могут быть использованы по причине более высокого рабочего давления в системах, использующих R410A, что может привести к разрыву труб.

⚠ Внимание:

- **Запрещается стравливать R410A в атмосферу.**
- **Согласно Киотскому протоколу, R410A является фреонсодержащим газом с потенциалом глобального потепления (ПГП) = 1975.**

3. Комбинация наружных блоков

Ниже приведены кассетные модели, с PUHY-P500 до P1250.

Модели наружной установки	Кассетные модели		
PUHY-P200YJM-A(-BS)	-	-	-
PUHY-P250YJM-A(-BS)	-	-	-
PUHY-P300YJM-A(-BS)	-	-	-
PUHY-P350YJM-A(-BS)	-	-	-
PUHY-P400YJM-A(-BS)	-	-	-
PUHY-P450YJM-A(-BS)	-	-	-
PUHY-P500YSJM-A(-BS)	PUHY-P250YJM-A(-BS)	PUHY-P250YJM-A(-BS)	-
PUHY-P500YSJM-A1(-BS)	PUHY-P300YJM-A(-BS)	PUHY-P200YJM-A(-BS)	-
PUHY-P550YSJM-A(-BS)	PUHY-P300YJM-A(-BS)	PUHY-P250YJM-A(-BS)	-
PUHY-P600YSJM-A(-BS)	PUHY-P350YJM-A(-BS)	PUHY-P250YJM-A(-BS)	-
PUHY-P600YSJM-A1(-BS)	PUHY-P300YJM-A(-BS)	PUHY-P300YJM-A(-BS)	-
PUHY-P650YSJM-A(-BS)	PUHY-P350YJM-A(-BS)	PUHY-P300YJM-A(-BS)	-
PUHY-P700YSJM-A(-BS)	PUHY-P350YJM-A(-BS)	PUHY-P350YJM-A(-BS)	-
PUHY-P700YSJM-A1(-BS)	PUHY-P400YJM-A(-BS)	PUHY-P300YJM-A(-BS)	-
PUHY-P750YSJM-A(-BS)	PUHY-P400YJM-A(-BS)	PUHY-P350YJM-A(-BS)	-
PUHY-P800YSJM-A(-BS)	PUHY-P450YJM-A(-BS)	PUHY-P350YJM-A(-BS)	-
PUHY-P800YSJM-A1(-BS)	PUHY-P400YJM-A(-BS)	PUHY-P400YJM-A(-BS)	-
PUHY-P850YSJM-A(-BS)	PUHY-P450YJM-A(-BS)	PUHY-P400YJM-A(-BS)	-
PUHY-P900YSJM-A(-BS)	PUHY-P450YJM-A(-BS)	PUHY-P450YJM-A(-BS)	-
PUHY-P950YSJM-A(-BS)	PUHY-P400YJM-A(-BS)	PUHY-P300YJM-A(-BS)	PUHY-P250YJM-A(-BS)
PUHY-P1000YSJM-A(-BS)	PUHY-P400YJM-A(-BS)	PUHY-P300YJM-A(-BS)	PUHY-P300YJM-A(-BS)
PUHY-P1050YSJM-A(-BS)	PUHY-P400YJM-A(-BS)	PUHY-P350YJM-A(-BS)	PUHY-P300YJM-A(-BS)
PUHY-P1100YSJM-A(-BS)	PUHY-P400YJM-A(-BS)	PUHY-P350YJM-A(-BS)	PUHY-P350YJM-A(-BS)
PUHY-P1150YSJM-A(-BS)	PUHY-P450YJM-A(-BS)	PUHY-P350YJM-A(-BS)	PUHY-P350YJM-A(-BS)
PUHY-P1200YSJM-A(-BS)	PUHY-P450YJM-A(-BS)	PUHY-P400YJM-A(-BS)	PUHY-P350YJM-A(-BS)
PUHY-P1250YSJM-A(-BS)	PUHY-P450YJM-A(-BS)	PUHY-P450YJM-A(-BS)	PUHY-P350YJM-A(-BS)

Ниже приведены кассетные модели, с PUHY-EP400 до EP900.

Модели наружной установки	Кассетные модели		
PUHY-EP200YJM-A(-BS)	-	-	-
PUHY-EP250YJM-A(-BS)	-	-	-
PUHY-EP300YJM-A(-BS)	-	-	-
PUHY-EP400YSJM-A(-BS)	PUHY-EP200YJM-A(-BS)	PUHY-EP200YJM-A(-BS)	-
PUHY-EP450YSJM-A(-BS)	PUHY-EP250YJM-A(-BS)	PUHY-EP200YJM-A(-BS)	-
PUHY-EP500YSJM-A(-BS)	PUHY-EP300YJM-A(-BS)	PUHY-EP200YJM-A(-BS)	-
PUHY-EP500YSJM-A1(-BS)	PUHY-EP250YJM-A(-BS)	PUHY-EP250YJM-A(-BS)	-
PUHY-EP550YSJM-A(-BS)	PUHY-EP300YJM-A(-BS)	PUHY-EP250YJM-A(-BS)	-
PUHY-EP600YSJM-A(-BS)	PUHY-EP300YJM-A(-BS)	PUHY-EP300YJM-A(-BS)	-
PUHY-EP650YSJM-A(-BS)	PUHY-EP250YJM-A(-BS)	PUHY-EP200YJM-A(-BS)	PUHY-EP200YJM-A(-BS)
PUHY-EP700YSJM-A(-BS)	PUHY-EP300YJM-A(-BS)	PUHY-EP200YJM-A(-BS)	PUHY-EP200YJM-A(-BS)
PUHY-EP700YSJM-A1(-BS)	PUHY-EP250YJM-A(-BS)	PUHY-EP250YJM-A(-BS)	PUHY-EP200YJM-A(-BS)
PUHY-EP750YSJM-A(-BS)	PUHY-EP300YJM-A(-BS)	PUHY-EP250YJM-A(-BS)	PUHY-EP200YJM-A(-BS)
PUHY-EP750YSJM-A1(-BS)	PUHY-EP250YJM-A(-BS)	PUHY-EP250YJM-A(-BS)	PUHY-EP250YJM-A(-BS)
PUHY-EP800YSJM-A(-BS)	PUHY-EP300YJM-A(-BS)	PUHY-EP300YJM-A(-BS)	PUHY-EP200YJM-A(-BS)
PUHY-EP800YSJM-A1(-BS)	PUHY-EP300YJM-A(-BS)	PUHY-EP250YJM-A(-BS)	PUHY-EP250YJM-A(-BS)
PUHY-EP850YSJM-A(-BS)	PUHY-EP300YJM-A(-BS)	PUHY-EP300YJM-A(-BS)	PUHY-EP250YJM-A(-BS)
PUHY-EP900YSJM-A(-BS)	PUHY-EP300YJM-A(-BS)	PUHY-EP300YJM-A(-BS)	PUHY-EP300YJM-A(-BS)

4. Технические характеристики

Модель	PUHY-P200YJM-A	PUHY-P250YJM-A	PUHY-P300YJM-A	PUHY-P350YJM-A	PUHY-P400YJM-A	PUHY-P450YJM-A	PUHY-P500YSJM-A	PUHY-P500YSJM-A1	PUHY-P550YSJM-A	PUHY-P600YSJM-A	PUHY-P600YSJM-A1	PUHY-P650YSJM-A	PUHY-P700YSJM-A
Уровень шумового давления (50/60 Гц)	56 дБ <A>	58 дБ <A>	59 дБ <A>	60 дБ <A>	61 дБ <A>	62 дБ <A>	61 дБ <A>	61 дБ <A>	61,5 дБ <A>	62 дБ <A>	62 дБ <A>	62,5 дБ <A>	63 дБ <A>
Уровень внешнего статического давления	0 Па *2												
Внутренние блоки	Суммарная емкость	50~130% *1											
	Модель	15~250											
Диапазон рабочих температур	Стандартный тип	Режим охлаждения: - 5°C ~ 46°C (по сухому термометру)											
		Режим обогрева: - 20°C ~ 15,5°C (по смоченному термометру)											
	С внутренним блоком	Режим охлаждения: 21°C ~ 43°C (по сухому термометру)											
Режим обогрева: - 12,5°C ~ 20°C (по смоченному термометру)													

Модель	PUHY-P700YSJM-A1	PUHY-P750YSJM-A	PUHY-P800YSJM-A	PUHY-P800YSJM-A1	PUHY-P850YSJM-A	PUHY-P900YSJM-A	PUHY-P950YSJM-A	PUHY-P1000YSJM-A	PUHY-P1050YSJM-A	PUHY-P1100YSJM-A	PUHY-P1150YSJM-A	PUHY-P1200YSJM-A	PUHY-P1250YSJM-A
Уровень шумового давления (50/60 Гц)	63 дБ <A>	63,5 дБ <A>	64 дБ <A>	64 дБ <A>	64,5 дБ <A>	65 дБ <A>	64,5 дБ <A>	64,5 дБ <A>	65 дБ <A>	65 дБ <A>	65,5 дБ <A>	66 дБ <A>	66 дБ <A>
Уровень внешнего статического давления	0 Па *2												
Внутренние блоки	Суммарная емкость	50~130% *1											
	Модель	15~250											
Диапазон рабочих температур	Стандартный тип	Режим охлаждения: - 5°C ~ 46°C (по сухому термометру)											
		Режим обогрева: - 20°C ~ 15,5°C (по смоченному термометру)											
	С внутренним блоком	Режим охлаждения: 21°C ~ 43°C (по сухому термометру)											
Режим обогрева: - 12,5°C ~ 20°C (по смоченному термометру)													

Модель	PUHY-EP200YJM-A	PUHY-EP250YJM-A	PUHY-EP300YJM-A	PUHY-EP400YSJM-A	PUHY-EP450YSJM-A	PUHY-EP500YSJM-A	PUHY-EP500YSJM-A1	PUHY-EP550YSJM-A	PUHY-EP600YSJM-A
Уровень шумового давления (50/60 Гц)	57 дБ <A>	60 дБ <A>	61 дБ <A>	60 дБ <A>	62 дБ <A>	62,5 дБ <A>	63 дБ <A>	63,5 дБ <A>	64 дБ <A>
Уровень внешнего статического давления	0 Па *2								
Внутренние блоки	Суммарная емкость	50~130% *1							
	Модель	15~250							
Диапазон рабочих температур	Стандартный тип	Режим охлаждения: - 5°C ~ 46°C (по сухому термометру)							
		Режим обогрева: - 20°C ~ 15,5°C (по смоченному термометру)							
	С внутренним блоком	Режим охлаждения: 21°C ~ 43°C (по сухому термометру)							
Режим обогрева: - 12,5°C ~ 20°C (по смоченному термометру)									

Модель	PUHY-EP650YSJM-A	PUHY-EP700YSJM-A	PUHY-EP700YSJM-A1	PUHY-EP750YSJM-A	PUHY-EP750YSJM-A1	PUHY-EP800YSJM-A	PUHY-EP800YSJM-A1	PUHY-EP850YSJM-A	PUHY-EP900YSJM-A	
Уровень шумового давления (50/60 Гц)	63 дБ <A>	63,5 дБ <A>	64 дБ <A>	64,5 дБ <A>	65 дБ <A>	65 дБ <A>	65 дБ <A>	65,5 дБ <A>	66 дБ <A>	
Уровень внешнего статического давления	0 Па *2									
Внутренние блоки	Суммарная емкость	50~130% *1								
	Модель	15~250								
Диапазон рабочих температур	Стандартный тип	Режим охлаждения: - 5°C ~ 46°C (по сухому термометру)								
		Режим обогрева: - 20°C ~ 15,5°C (по смоченному термометру)								
	С внутренним блоком	Режим охлаждения: 21°C ~ 43°C (по сухому термометру)								
		Режим обогрева: - 12,5°C ~ 20°C (по смоченному термометру)								

*1: Совокупная эффективная емкость блоков составляет 130% и менее.

*2: Для обеспечения высокого статического давления на кондиционерах (E)P200, (E)P250, (E)P300, P350, P400 и P450 необходимо установить датчик-реле давления на главной панели следующим образом.

SW3-9 : ON (ВКЛ), SW3-10 60 Па-совместимый: OFF (ВЫКЛ), 30 Па-совместимый: ON

5. Подтверждение комплектности

- Данный блок включает в себя следующие части. Убедитесь в их наличии.
- Информация по способам использования приведена в таблице 10.2.

Модель	① Коленчатый патрубок Внутренний диаметр \varnothing 19,05, Внешний диаметр \varnothing 19,05 <для газовых магистралей>	② Коленчатый патрубок Внутренний диаметр \varnothing 25,4, Внешний диаметр \varnothing 25,4 <для газовых магистралей>	③ Коленчатый патрубок Внутренний диаметр \varnothing 28,58, Внешний диаметр \varnothing 28,58 <для газовых магистралей>	④ Соединительная трубка Внутренний диаметр \varnothing 12,7, Внешний диаметр \varnothing 9,52 <для жидкостных магистралей>	⑤ Соединительная трубка Внутренний диаметр \varnothing 15,88, Внешний диаметр \varnothing 9,52 <для жидкостных магистралей>	⑥ Соединительная трубка Внутренний диаметр \varnothing 9,52, Внешний диаметр \varnothing 12,7 <для жидкостных магистралей>	⑦ Соединительная трубка Внутренний диаметр \varnothing 15,88, Внешний диаметр \varnothing 12,7 <для жидкостных магистралей>	⑧ Соединительная трубка Внутренний диаметр \varnothing 15,88, Внешний диаметр \varnothing 19,05 <для жидкостных магистралей>
P200	1 шт.	-	-	-	-	-	-	-
P250	-	1 шт.	-	-	-	-	-	-
P300	-	1 шт.	-	1 шт.	-	-	-	-
P350	-	1 шт.	-	-	-	-	1 шт.	-
P400	-	1 шт.	-	-	-	-	1 шт.	-
P450	-	-	1 шт.	-	-	-	-	-
EP200	-	1 шт.	-	-	-	-	-	-
EP250	-	1 шт.	-	-	1 шт.	1 шт.	1 шт.	1 шт.
EP300	-	-	1 шт.	-	1 шт.	-	1 шт.	-

Модель	⑨ Соединительная трубка Внутренний диаметр \varnothing 25,4, Внешний диаметр \varnothing 19,05 <для газовых магистралей>	⑩ Соединительная трубка Внутренний диаметр \varnothing 25,4, Внешний диаметр \varnothing 22,2 <для газовых магистралей>	⑪ Соединительная трубка Внутренний диаметр \varnothing 28,58, Внешний диаметр \varnothing 22,2 <для газовых магистралей>	⑫ Соединительная трубка Внутренний диаметр \varnothing 25,4, Внешний диаметр \varnothing 28,58 <для газовых магистралей>	⑬ Соединительная трубка Внутренний диаметр \varnothing 28,58, Внешний диаметр \varnothing 34,93 <для газовых магистралей>	⑭ Соединительная трубка Внутренний диаметр \varnothing 9,52, Внешний диаметр \varnothing 9,52 <для жидкостных магистралей>	⑮ Соединительная трубка Внутренний диаметр \varnothing 12,7, Внешний диаметр \varnothing 12,7 <для жидкостных магистралей>	⑯ Соединительная трубка Внутренний диаметр \varnothing 15,88, Внешний диаметр \varnothing 15,88 <для жидкостных магистралей>
P200	-	-	-	-	-	1 шт.	-	-
P250	-	1 шт.	-	-	-	1 шт.	-	-
P300	-	1 шт.	-	-	-	-	1 шт.	-
P350	-	-	-	1 шт.	-	-	-	1 шт.
P400	-	-	-	1 шт.	-	-	-	1 шт.
P450	-	-	-	-	-	-	-	1 шт.
EP200	1 шт.	-	-	-	-	1 шт.	-	-
EP250	-	1 шт.	-	-	1 шт.	-	-	1 шт.
EP300	-	-	1 шт.	-	-	-	-	1 шт.

6. Требования к пространству вокруг блока

① В случае установки одного блока

- Предусмотрите вокруг блока достаточный объем свободного пространства согласно требованиям, указанным в таблице на стр. 2.

[Fig. 6.0.1] (Стр. 2)

- <A> Вид сверху Вид сбоку
<C> В случае недостатка места до блокировки
 А Передняя часть В Высота блока
 С Задняя часть Д Направляющая воздушного патрубка
 (Устанавливается на месте)

- (1) Если расстояние от стены до задней части блока составляет 300 мм и более
- (2) Если расстояние от стены до задней части блока составляет 100 мм и более
- (3) Если высота стены (H) спереди, сбоку или сзади превышает установленные ограничения по высоте стены

- Если высота стены <H> спереди, сбоку или сзади превышает установленные ограничения по высоте стены, указанные ниже, прибавьте расстояние, на которое превышено ограничение <h>, к цифрам, отмеченным звездочкой.
- Если блок нельзя разместить на расстоянии от стены, поменяйте направление воздуховыпускного отверстия блока таким образом, чтобы воздух дул на стену, что позволит избежать короткого цикла движения воздуха.

7. Способ поднимания

[Fig. 7.0.1] (Стр. 3)

- Используйте стропы, способные выдержать вес изделия.
- При переноске изделия должны использоваться **4-точечные стропы**, при этом следует оберегать изделие от ударов (Не используйте **2-точечные стропы**).
- Для защиты изделия от повреждений в местах контакта со стропами следует использовать защитные прокладки.
- Угол строп должен составлять не более 40°.
- Используйте 2 стропы длиной не менее 8 метров каждая.

<Ограничение по высоте стены> Спереди: До высоты блока

Снизу: До 500 мм от нижней части блока

Сбоку: До высоты блока

(4) Если в верхней части блока имеются помехи

② В случае установки нескольких блоков

[Fig. 6.0.2] (Стр. 2)

- А Передняя часть В Должна быть открытой
 С Высота стены (H)

- При установке нескольких блоков следует предусмотреть пространство, обеспечивающее достаточную вентиляцию и оставляющее проходы, как показано на стр. 2.
- Блок должен быть открыт не менее, чем с двух сторон.
- При установке одного блока следует прибавить расстояние, на которое превышено ограничение по высоте стены <h>, к величинам, отмеченным звездочкой.
- Если спереди и позади устройства находится стена. Установите до шести устройств (три устройства: P450, EP300) последовательно, бок о бок, и обеспечьте пространство в размере 1000 мм или больше в качестве впускного пространства/пространства доступа для каждого из шести устройств (три устройства: P450, EP300).

- Для защиты изделия от повреждения стропами расположите по его углам защитные подложки.

⚠ Внимание:

При транспортировке/переноске изделия принимайте меры предосторожности.

- При установке наружного блока следует крепить изделие за предусмотренные для этого места. Закрепите изделие в четырех точках так, чтобы исключить его смещение. Крепление блока в трех точках может привести к его смещению и последующему падению.

8. Установка блока

8.1. Установка

[Fig. 8.1.1] (Стр.3)

- <A> Без съемной ножки
 (А) М10 анкерный болт, устанавливаемый на месте.
 (С) Крепежный кронштейн для анкеров со вставным болтом (крепится винтами в трех местах).
- Со съемной ножкой
 (В) Угол не закреплен.
 (D) Съемная ножка

- Надежно закрепите блок, чтобы исключить его падение под воздействием землетрясения или сильного ветра.
- В качестве основания для блока используется бетон либо угловой кронштейн.
- На монтажную часть могут передаваться вибрации, а в зависимости от условий установки пол и стены могут генерировать вибрации и шум. Поэтому следует обеспечить достаточную виброзащиту (амортизирующая подушка, амортизирующая рама и т.д.).
- Основание должно изготавливаться таким образом, чтобы обеспечивалась надежная опора для угла монтажной ножки, как показано на рисунке (Fig. 8.1.1). При использовании резиновых изолирующих подушек подушка должна иметь достаточные размеры для покрытия всей ширины ножек блока. В случае неплотного прилегания углов может возникнуть деформация монтажной ножки.
- Длина выступающего торца анкерного болта не должна превышать 30 мм.
- Забуривающиеся анкерные болты несовместимы с данным изделием. Тем не менее, если в четырех местах крепления устройства (6 мест: P450, EP300) установлены крепежные скобы, то можно использовать забуривающиеся анкерные болты.

[Fig. 8.1.2] (Стр.3)

(А) Винты

- Съемная ножка может быть демонтирована на месте установки.
- Демонтаж съемной ножки
Открутите три винта для отсоединения съемной ножки (по две (три: P450, EP300) спереди и сзади). Если основание ножки при ее демонтаже было повреждено, неисправность следует устранить на месте.

⚠ Предупреждение:

- Место установки должно обладать прочностью, достаточной, чтобы выдержать вес блока. Недостаточная прочность может стать причиной падения блока и нанесения им травм людям.
- Обеспечьте при установке защиту от землетрясений и сильных ветров. Недостаточная надежность установки может стать причиной падения блока и нанесения им травм людям.

При изготовлении основания следует уделять внимание вопросам прочности пола, дренажирования воды <во время работы из блока вытекает вода>, а также прокладке труб и электропроводки.

Меры предосторожности при прокладке труб и электропроводки под блоком (Без съемной ножки)

При прокладке труб и электропроводки под блоком под них необходимо оставить достаточное место. Также необходимо убедиться в том, что высота основания составляет не менее 100 мм для прокладки труб под блоком.

9. Установка трубопроводов

Труба, идущая от наружного блока, принимается распределителем и разветвляется для соединения между внутренними блоками. Способ подсоединения трубок следующий: соединитель с колоколообразным расширением для внутренних блоков, газовые и жидкостные трубки для наружных блоков, соединение спайкой. Разветвленные секции запаяны.

⚠ Предупреждение:

При использовании открытого огня необходимо убедиться в отсутствии утечки холодильного газа. При контактировании газа с открытым пламенем газ разлагается, выделяя токсичные соединения, способные вызвать серьезные отравления. Запрещается проводить сварочные работы в непрветриваемом помещении. После завершения монтажа соединений необходимо убедиться в отсутствии утечки газа.

⚠ Внимание:

- Запрещается стравливать R410A в атмосферу.
- Согласно Киотскому протоколу, R410A является фреонсодержащим газом с потенциалом глобального потепления (ПГП) = 1975.

9.1. Внимание

В данном изделии применяется хладагент R410A. При выборе труб и шлангов следует руководствоваться требованиями местного законодательства, касающегося используемых материалов и толщины труб. (См. таблицу справа.)

- Для трубок холодильного контура используйте следующие материалы.
 - Материал: Используйте бесшовные латунные трубки, изготовленные из раскисленной фосфором меди. Кроме этого убедитесь, что внутренняя и внешняя поверхность труб чистая, без частиц серы, окисей, пыли/грязи, частиц стружки, масел, влаги или других загрязнений.

- Размеры: Подробная информация по трубам холодильного контура приведена в таблице 9.2.

- Имеющиеся в продаже трубы нередко содержат различные загрязнения. Продуйте их сухим инертным газом.
- Примите меры, чтобы исключить во время установки попадание пыли, воды и иных загрязнений в трубы.
- Сведите к минимуму количество изгибающихся секций, радиус изгибов делайте максимально большим.
- Для разветвлений используйте распределительные соединения, продаваемые отдельно.

Размеры и толщина медных трубок и для модели R410A CITY MULTI.

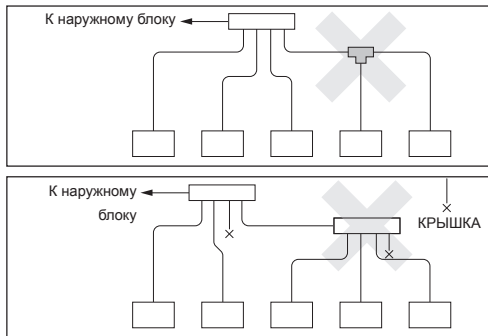
Размер (мм)	Размер (дюймов)	Радиальная толщина (мм)	Тип трубки
ø6,35	ø1/4"	0,8	Круглая
ø9,52	ø3/8"	0,8	Круглая
ø12,7	ø1/2"	0,8	Круглая
ø15,88	ø5/8"	1,0	Круглая
ø19,05	ø3/4"	1,2	Круглая
ø19,05	ø3/4"	1,0	Тип 1/2Н или Н
ø22,2	ø7/8"	1,0	Тип 1/2Н или Н
ø25,4	ø1"	1,0	Тип 1/2Н или Н
ø28,58	ø1-1/8"	1,0	Тип 1/2Н или Н
ø31,75	ø1-1/4"	1,1	Тип 1/2Н или Н
ø34,93	ø1-3/8"	1,2	Тип 1/2Н или Н
ø41,28	ø1-5/8"	1,4	Тип 1/2Н или Н

* Тип трубок размера ø19,05 (3/4") для кондиционера R410A вы можете выбрать на свое усмотрение.

Внутренняя модель с комплектом разветвителя-двойника						
Разветвитель трубы				Коллектор		
Модель блока с нисходящим потоком Общая длина менее 200	Модель блока с нисходящим потоком Общая длина более 201 и менее 400	Модель блока с нисходящим потоком Общая длина более 401 и менее 650	Модель блока с нисходящим потоком Общая длина более 651	4 разъема	8 разъёмов	10 разъёмов
CMY-Y102S-G2	CMY-Y102L-G2	CMY-Y202-G2	CMY-Y302-G2	CMY-Y104-G	CMY-Y108-G	CMY-Y1010-G

Двойник-разветвитель для наружного блока		
Общая длина от наружного блока P500 ~ P650 EP400 ~ EP600	Общая длина от наружного блока P700 ~ P900	Общая длина от наружного блока P950 ~ P1250 EP650 ~ EP900
CMY-Y100VBK2	CMY-Y200VBK2	CMY-Y300VBK2

- ⑥ Используйте специальные сочленения в случае, если диаметр трубки хладагента отличается от диаметра распределительной трубки.
- ⑦ Соблюдайте ограничения по длине труб холодильного контура (длина, разбиха высоты и диаметр трубки) для исключения повреждения оборудования или снижения характеристик охлаждения/обогрева.
- ⑧ После разветвления коллектора дополнительное разветвление не устанавливается (соответствующие части отмечены с помощью X в диаграмме ниже).



- ⑨ Недостаточное или избыточное количество хладагента в системе приведет к аварийной остановке системы. Заправляйте строго необходимое количество хладагента. При обслуживании справляйтесь с записями относительно длины трубопроводов и количества дополнительно заправленного хладагента, а также с таблицей расчета, расположенной на задней стороне сервисной панели и наклейками на всех внутренних блоках (см. таблицу 9.2. для получения дополнительной информации по системе труб хладагента).
- ⑩ Заправляйте систему жидким хладагентом.
- ⑪ **Запрещается использовать хладагент для продувки системы.** Для вакуумирования системы используйте только вакуумный насос.
- ⑫ Обеспечивайте надежную изоляцию труб. Недостаточная изоляция снизит рабочие характеристики и приведет к капанию конденсата и иным проблемам (См. табл 10.4 по информации о термоизоляции труб хладагента).
- ⑬ Подсоединение труб хладагента производится при закрытом клапане наружного блока (заводская настройка), не открывайте клапан до завершения монтажа труб между внутренним и наружным блоком и проведения проверки на утечку и процедуры вакуумирования.
- ⑭ **Пайка труб производится неокисными твердыми припоями. В противном случае компрессор может выйти из строя. Пайка производится с продувкой азотом. Не используйте средство против окисления, это может привести к коррозии труб и ухудшению свойств холодильного масла. При возникновении вопросов обращайтесь в компанию Mitsubishi Electric.** (Информация по соединению труб и управлению клапаном приведена в таблице 10.2.)
- ⑮ **Запрещается паять соединения наружного блока во время дождя.**

⚠ Предупреждение:

При установке и переносе блока для зарядки системы используйте только установленный тип хладагента.

- Смешивание различных типов хладагента приведет к нарушению холодильного цикла и серьезным повреждениям.

⚠ Внимание:

- Используйте вакуумный насос с обратным клапаном.
 - Отсутствие у насоса обратного клапана приведет к попаданию масла насоса в холодильный цикл и последующему ухудшению свойств холодильного масла.
- **Запрещается использовать следующие инструменты, применяемые с обычными видами хладагента. (Штуцер манометра, заправочный шланг, теческатель, обратный клапан, заправочное основание, оборудование для сбора хладагента)**
 - Смешивание обычного хладагента и холодильного масла приведет к ухудшению качества холодильного масла.
 - Попадание воды приведет к ухудшению эксплуатационных качеств холодильного масла.
 - Хладагент R410A не содержит хлора. Поэтому теческатели, используемые для работы с обычными хладагентами, не применимы.
- **Обращайтесь с инструментами для R410A с особой осторожностью.**
 - Попадание в холодильный контур пыли, грязи или воды может привести к ухудшению эксплуатационных качеств холодильного масла.

- **Запрещается использовать существующие трубопроводы для нового блока.**
 - Использование старых труб хладагента и старого холодильного масла, содержащих большое количество хлора, может привести к ухудшению эксплуатационных качеств холодильного масла нового блока.
- **Храните предназначенные для установки трубы в помещении, герметически закрытыми с обоих концов до припайки.**
 - Попадание в холодильный цикл пыли, грязи или воды может привести к ухудшению эксплуатационных свойств холодильного масла и выходу компрессора из строя.
- **Запрещается использовать заправочные баллоны.**
 - Использование заправочного баллона может привести к ухудшению эксплуатационных свойств хладагента.
- **Для мытья труб не используйте специальные моющие средства.**

9.2. Установка трубопроводов хладагента

Пример соединения

[Fig. 9.2.1] (Стр. 4)

А	Модели с наружным блоком	В	Трубы для жидких хладагентов
С	Газовые трубы	Д	Общая емкость внутренних блоков
Е	Номер модели	Ф	Общая емкость для моделей с нисходящим потоком
Г	Соединение	Н	Первое разветвление кондиционеров P450 ~ P650
Т	Первое разветвление кондиционеров P700, P750, P800		
К	4-разъемный разветвитель (Общая емкость для моделей с нисходящим потоком ≤ 200)		
Ж	8-разъемный разветвитель (Общая емкость для моделей с нисходящим потоком ≤ 400)		
Л	10-разъемный разветвитель (Общая емкость для моделей с нисходящим потоком ≤ 650)		
М	Двойник-разветвитель для наружного блока		
А	Наружный блок	В	Первое разветвление
С	Внутренний блок	Д	Крышка
Е	Двойник-разветвитель для наружного блока		
*1	ø12,7 для более 90 м		
*2	ø12,7 для более 40 м		
*3	Размеры труб в колонках с А1 по А3 в данной таблице соответствуют размерам моделей перечисленных в колонках 1, 2 и 3 блока. При изменении порядка моделей для блоков 1, 2 и 3 используйте трубы надлежащего размера.		

Меры предосторожности для комбинаций наружных блоков
См. [Fig. 9.2.2] по расположению двойников-разветвителей.

[Fig. 9.2.2] (Стр. 6)

- <A> Разветвления должны спускаться вниз от разветвительной трубки к наружному блоку (к разветвляющимся трубкам).
 - Если длина труб, идущих с разветвлению от внешнего блока, превышает два метра, необходимо предусмотреть ловушку через два метра (только для газовых труб). Высота ловушки должна быть более 200 мм. Отсутствие ловушки приведет к скоплению масла внутри трубы, приведя к его недостатку и повреждению компрессора.
 - <C> Ниспадание разветвлений
 - Угол разветвлений по отношению к земле должен составлять ±15°.
 - Превышение этого значения может привести к выходу блока из строя.
 - <D> Пример соединения труб

А	Ниспадание	В	Восхождение
С	Внутренний блок	Д	Ловушка (только для газовых труб)
Е	В пределах 2 метров	Ф	Трубный двойник-разветвитель
Г	Угол разветвлений по отношению к земле должен составлять ±15°.		
Н	Трубы на месте установки	Т	Комплект двойника-разветвителя
Ж	Прямой участок трубы длиной 500 мм и более		
В	Внешний диаметр ø12,7 × Внутренний диаметр ø9,52 (Прилагается к наружному блоку)		
В	Внешний диаметр ø19,05 × Внутренний диаметр ø15,88 (Прилагается к наружному блоку)		
В	Внешний диаметр ø34,93 × Внутренний диаметр ø28,58 (Прилагается к наружному блоку)		
- (⑥, ⑧, ⑬): см. пункт 10.2)

⚠ Внимание:

- Устанавливайте влагоуловители только между наружными блоками, как описано на отдельном листе, чтобы не допустить обратного тока масла и трудностей при запуске компрессора.
- Не устанавливайте электромагнитные клапаны, чтобы не допустить обратного тока масла и трудностей при запуске компрессора.
- Не устанавливайте смотровое стекло, поскольку оно может приводить к ошибочным выводам о циркуляции хладагента. Если смотровое стекло установлено, неопытный обслуживающий персонал может заправить чрезмерное количество хладагента.

10. Зарядка дополнительного количества хладагента

На сборочном предприятии система заполняется определенным количеством хладагента.

Это количество не учитывает прокладку дополнительных трубок, поэтому на месте монтажа необходимо дозаправить блок. Запишите длину всех трубопроводов и количество добавленного хладагента. Это пригодится во время проведения технического обслуживания блока.

10.1. Расчет необходимого количества хладагента

- Расчет необходимого количества хладагента производится исходя из длины дополнительных труб и размера холодильного контура.
- Для расчета воспользуйтесь таблицей, расположенной справа, после чего заправьте систему.
- Результаты расчета менее 0,1 кг округляются в большую сторону. Например, 12,38 кг округляется до 12,4 кг.

<Дополнительная зарядка>

Дополнительная зарядка хладагентом (кг)	=	Размер трубок для жидкости Общая длина Ø19,05 × 0,29 (м) × 0,29 (кг/м)	+	Размер трубок для жидкости Общая длина Ø15,88 × 0,2 (м) × 0,2 (кг/м)	+	Размер трубок для жидкости Общая длина Ø12,7 × 0,12 (м) × 0,12 (кг/м)
		+	Размер трубок для жидкости Общая длина Ø9,52 × 0,06 (м) × 0,06 (кг/м)	+	Размер трубок для жидкости Общая длина Ø6,35 × 0,024 (м) × 0,024 (кг/м)	+

<Пример>

Внутренний блок	1: 125	A: Ø12,7	40 м	a: Ø9,52	10 м	} Условия указаны ниже:
	2: 100	B: Ø9,52	10 м	b: Ø9,52	5 м	
	3: 40	C: Ø9,52	15 м	c: Ø6,35	10 м	
	4: 32	D: Ø9,52	10 м	d: Ø6,35	10 м	
	5: 63			e: Ø9,52	10 м	

Общая длина жидкостных труб следующая:

Ø12,7: A = 40 = 40 м
 Ø9,52: B + C + D + a + b + e = 10 + 15 + 10 + 10 + 5 + 10 = 60 м
 Ø6,35: c + d = 10 + 10 = 20 м

Итого,
 <Пример расчета>

Дополнительная зарядка хладагентом
 = 40 × 0,12 + 60 × 0,06 + 20 × 0,024 + 3,5 = 12,4 кг

Значение α

Общая емкость соединений внутренних блоков	α
Модели ~ 80	2,0 кг
Модели 81 ~ 160	2,5 кг
Модели 161 ~ 330	3,0 кг
Модели 331 ~ 390	3,5 кг
Модели 391 ~ 480	4,5 кг
Модели 481 ~ 630	5,0 кг
Модели 631 ~ 710	6,0 кг
Модели 711 ~ 800	8,0 кг
Модели 801 ~ 890	9,0 кг
Модели 891 ~ 1070	10,0 кг
Модели 1071 ~ 1250	12,0 кг
Модели 1251 ~	14,0 кг

10.2. Меры предосторожности при соединении труб и работе с клапанами

- Все работы должны выполняться аккуратно и с принятием мер предосторожности.
- **Демонтаж пережатой соединительной трубки**
 Во избежание утечки газа во время перевозки блока на клапаны газового и жидкостного хладагента устанавливается пережатая соединительная трубка. Выполните шаги ①–④ для демонтажа пережатой соединительной трубки перед тем как подсоединять трубы хладагента к наружному блоку.
 - ① Убедитесь в том, что сервисный клапан плотно закрыт (повернут по часовой стрелке до упора).
 - ② Подсоедините зарядный шланг к сервисному штуцеру клапана и удалите газ из трубы между сервисным клапаном и пережатой соединительной трубкой.
 - ③ После удаления газа из пережатой соединительной трубки разделите трубку в месте, показанном на [Fig. 10.2.1], и слейте хладагент.
 - ④ После выполнения шагов ② и ③ нагрейте запаянную часть для демонтажа пережатой соединительной трубки.

[Fig. 10.2.1] (Стр.7)

- <A> Сервисный клапан (жидкостной трубы/запаянного типа)
- Сервисный клапан (газовой трубы/запаянного типа)
- Ⓐ Вал
 Полностью закрыт при сборке, при соединении труб и при вакуумировании. Полностью открывается после окончания всех работ.
 <При открывании>
 • Поверните вал против часовой стрелки с помощью шестигранного ключа.
 • Поверните вал до упора.
 <При закрывании>
 • Поверните вал по часовой стрелке с помощью шестигранного ключа.
 • Поверните вал до упора.
- Ⓑ Вал
 Полностью закрыт при сборке, при соединении труб и при вакуумировании. Полностью открывается после окончания всех работ.
 <При открывании>
 • Поверните рукоятку против часовой стрелки.
 • Поверните вал до упора.
 <При закрывании>
 • Поверните рукоятку по часовой стрелке.
 • Поверните вал до упора.
- Ⓒ Стопорный штифт
 Предотвращает поворот рукоятки 90° или многое другое.
- Ⓓ Сервисное отверстие
 Предусмотрено для дренажа соединительной трубки или вакуумирования труб хладагента на месте эксплуатации.
- Ⓔ Крышка
 Снимите крышку перед работой с валом. По окончании работ установите крышку на место.
- Ⓕ Разделяемая часть пережатой соединительной трубки
- Ⓖ Запаянная часть пережатой соединительной трубки

Предупреждение:

- Секции между сервисными клапанами хладагента и соединительными трубками заполнены газом и холодильным маслом. Перед нагреванием

запаянной части соединительной трубки для ее демонтажа необходимо удалить газ и холодильное масло из описанной выше секции трубы.
 - Невыполнение этого требования может привести к разрыву трубы при ее нагреве, воспламенению хладагента и травмированию людей.

Внимание:

- Перед нагреванием накройте сервисный клапан влажным полотенцем вы избежите его нагрева выше 120°C.
- Во избежание нанесения ущерба не направляйте пламя на проводку и металлические панели внутри блока.

Внимание:

- Запрещается стравливать R410A в атмосферу.
- Согласно Киотскому протоколу, R410A является фреонсодержащим газом с потенциалом глобального потепления (ПГП) = 1975.
- **Подсоединение труб хладагента**
 К данному изделию прилагаются соединительные трубы для передних трубопроводов и нижних трубопроводов. (См. [Fig.10.2.2])
 Перед подсоединением труб хладагента необходимо убедиться в правильности размерности всех труб.
 Размеры труб даны в пункте 9.2 раздела Установка трубопроводов хладагента. Убедитесь в том, что труба хладагента не соприкасается с другими трубами, панелями блока или пластинами основания.
 Для пайки труб используйте неоксидный твердый припой.
 Во время пайки необходимо принять меры к исключению повреждения проводки и платы.

<Примеры подсоединения труб хладагента>
 [Fig.10.2.2] (Стр. 7)

- <A> Прокладка труб спереди
- <C> Прилагается к наружному блоку
- Ⓐ Газовая труба (приобретается на месте)
- Ⓑ Жидкостная труба (приобретается на месте)
- Ⓒ Форма

• Прокладка труб спереди

для жидкостных магистралей	P200,P250,EP200	Используйте прилагаемую соединительную трубку ⑭ для подсоединения.
	P300	Используйте прилагаемые соединительные трубки ④ и ⑮ для подсоединения.
	P300*2 *3	Используйте прилагаемую соединительную трубку ⑮ для подсоединения.
	EP250, EP300	Используйте прилагаемые соединительные трубки ⑤ и ⑯ для подсоединения.
	EP250*1, EP300*2 *3 P350, P400	Используйте прилагаемые соединительные трубки ⑦ и ⑰ для подсоединения.
	P400*3, P450	Используйте прилагаемую соединительную трубку ⑰ для подсоединения.
для газовых магистралей	P200	Используйте прилагаемое колено ① для подсоединения.
	EP200	Используйте прилагаемые колено ② и соединительную трубку ⑨ для подсоединения.
	P250, EP250, P300	Используйте прилагаемые колено ② и соединительную трубку ⑩ для подсоединения.
	EP300	Используйте прилагаемые колено ③ и соединительную трубку ⑪ для подсоединения.
	P350, P400	Используйте прилагаемые колено ② и соединительную трубку ⑫ для подсоединения.
	P450	Используйте прилагаемое колено ③ для подсоединения.

• Прокладка труб снизу

для жидкостных магистралей	P200, P250, EP200	Развальцуйте устанавливаемые на месте внешние трубопроводы (внутренний диаметр Ø9,52) жидкостного контура и подсоедините к трубам сервисного клапана.
	P300	Используйте прилагаемую соединительную трубку ④ для подсоединения.
	P300*2 *3	Развальцуйте устанавливаемые на месте внешние трубопроводы (внутренний диаметр Ø12,7) жидкостного контура и подсоедините к трубам сервисного клапана.
	EP250, EP300	Используйте прилагаемую соединительную трубку ⑤ для подсоединения.
	EP250*1, EP300*2 *3, P350, P400	Используйте прилагаемую соединительную трубку ⑦ для подсоединения.
	P400*3, P450	Развальцуйте устанавливаемые на месте внешние трубопроводы (внутренний диаметр Ø15,88) жидкостного контура и подсоедините к трубам сервисного клапана.
для газовых магистралей	P200	Развальцуйте устанавливаемые на месте внешние трубопроводы (внутренний диаметр Ø19,05) газового контура и подсоедините к трубам сервисного клапана.
	EP200	Используйте прилагаемую соединительную трубку ⑨ для подсоединения.
	P250, EP250, P300	Используйте прилагаемую соединительную трубку ⑩ для подсоединения.
	EP300	Используйте прилагаемую соединительную трубку ⑪ для подсоединения.
	P350, P400	Используйте прилагаемую соединительную трубку ⑫ для подсоединения.
	P450	Развальцуйте устанавливаемые на месте внешние трубопроводы (внутренний диаметр Ø28,58) газового контура и подсоедините к трубам сервисного клапана.

- *1 более 90 м
 - *2 более 40 м
 - *3 В случае, если данный блок используется совместно с другими наружными блоками.
 - *4 EP650YSJM-A : Для подключения к двойниковому блоку используйте идущие в комплекте соединительные трубы ⑥, ⑧ и ⑬.
 - *5 EP700YSJM-A1 : Для подключения к двойниковому блоку используйте идущую в комплекте соединительную трубу ⑥.
 - *6 EP750YSJM-A1 : Для подключения к двойниковому блоку используйте идущую в комплекте соединительную трубу ⑥.
- (*4~*6: см. пункт 9.2.)

При развальцовке внешних труб соблюдайте требования по минимальной глубине запрессовки, указанные в таблице ниже.

Диаметр трубы (мм)	Минимальная глубина запрессовки (мм)	
5 и более	менее 8	6
8 и более	менее 12	7
12 и более	менее 16	8
16 и более	менее 25	10
25 и более	менее 35	12
35 и более	менее 45	14

- После вакуумирования и зарядки хладагентом полностью откройте ручку. Эксплуатация блока с закрытым клапаном приведет к образованию избыточного давления в контурах высокого и низкого давления, что выведет из строя компрессор, четырехсторонний клапан и т.п.
- Воспользуйтесь приведенной формулой для определения добавочного количества хладагента и подайте его в систему через сервисный штуцер после окончания всех работ.
- После окончания работ затяните сервисный штуцер для исключения утечки газа. (Момент затяжки смотрите в таблице ниже.)

Рекомендованный момент затяжки:

Внешний диаметр медной трубы (мм)	Крышка (Нм)	Вал (Нм)	Размер шестигранного ключа (мм)	Сервисный штуцер (Нм)
ø9,52	15	6	4	12
ø12,7	20	9	4	
ø15,88	25	15	6	
ø19,05	25	30	8	
ø25,4	25	30	8	16
ø28,58	25	-	-	

Порядок проведения теста на герметичность	Ограничение
(1) После достижения рабочего давления (4,15 МПа) азота оставьте систему в таком состоянии на сутки. Если за сутки давление не упадет, система герметична. Если давление упадет, может возникнуть необходимость проведения пробы на образование пузырей, поскольку место утечки неизвестно. (2) После описанного выше процесса нагнетания давления нанесите на спаянные соединения, вальцованные соединения и т.п. течеискатель (Ciroflex, и т.п.) и осмотрите систему. (3) После окончания теста вытрите средство.	<ul style="list-style-type: none"> • Использование при тесте на герметичность в качестве рабочего вещества воздуха (кислорода) или огнеопасного газа может привести к возгоранию или взрыву.

Внимание:
Используйте только хладагент R410A.

- Использование других хладагентов, например, R22 или R407C, содержащих хлор, приведет к ухудшению свойств холодильного масла и неисправности компрессора.

② Вакуумирование

Проводится с помощью вакуумного насоса при закрытом клапане наружного блока подачей давления через предусмотренное для этого отверстие на клапане наружного блока. (Вакуумирование производится в оба отверстия труб для газа и для жидкости.) После достижения величины 650 Па (абс.) вакуумирование проводится еще не менее часа. После этого останавливается вакуумный насос и система оставляется на час. Убедитесь в том, что значение вакуума не увеличивается. **(Увеличение выше 130 Па может указывать на проникновение воды в систему. Увеличьте давление для просушки азота до 0,05 МПа и повторите вакуумирование.)** По окончании герметизируйте с помощью жидкого хладагента и отрегулируйте газовые трубы для должного наполнения системы.
* Не используйте для продувки хладагент.

[Fig. 10.3.2] (Стр. 8)

- | | | |
|-----------------------|--------------------------------|-----------------|
| А Анализатор системы | В Ручьятка Low | С Ручьятка Hi |
| Д Клапан | Е Трубы для жидких хладагентов | Ф Газовые трубы |
| Г Сервисное отверстие | И Трехстороннее соединение | Л Клапан |
| Ж Клапан | К Баллон R410A | М Шкала |
| З Вакуумный насос | Н К наружному блоку | О Наружный блок |

Примечание:

- Добавляйте строго рассчитанное количество хладагента. Заправляйте систему только жидким хладагентом.
- Используйте специально предназначенные для блока штуцер манометра, заправочный шланг и иные инструменты.
- Используйте гравитометр. (Способный измерять до 0,1 кг.)
- Используйте вакуумный насос с обратным клапаном. (Рекомендованный вакуумный манометр: ROBINAIR 14830A Thermistor Vacuum Gauge) Также применяется вакуумный манометр, выдающий 65 Па (абс.) после 5 минут работы.

③ Заправка хладагента

Поскольку применяемый хладагент неазеотропичен, его необходимо заправлять в жидком состоянии. При зарядке с помощью баллона, если баллон не имеет сифонной трубки, для заправки следует перевернуть

⚠ Внимание:

- До окончания заправки добавочного количества хладагента на месте установки клапан должен быть закрыт. Открывание клапана до заправки блока может привести к выходу блока из строя.
- Не добавляйте в хладагент индикатор утечки.

[Fig. 10.2.3] (Стр.7)

- | |
|---|
| А Пример изоляционных материалов (приобретаются на месте) |
| Б Заполните промежутки на месте |

Заклейте все отверстия вокруг труб и электропроводки, чтобы исключить попадание мелких животных, дождевой воды или снега и предотвратить повреждение блока.

⚠ Внимание:

Заклейте все отверстия прокладки труб и проводки.

- Попадание мелких животных, дождевой воды или снега через такие отверстия может привести к выходу блока из строя.

10.3. Проверка на герметичность, вакуумирование и зарядка хладагентом

① Проверка на герметичность

Проводится при закрытом клапане наружного блока подачей давления через предусмотренное для этого отверстие на клапане наружного блока. (Подача давления производится в оба отверстия труб для газа и для жидкости.)

[Fig. 10.3.1] (Стр.8)

- | | | |
|--------------------------------|-----------------------|----------------------|
| А Азот | Б К наружному блоку | С Анализатор системы |
| Д Ручьятка Low | Е Ручьятка Hi | Ф Клапан |
| Г Трубы для жидких хладагентов | И Наружный блок | Ж Газовые трубы |
| И Наружный блок | Л Сервисное отверстие | |

При проведении теста принимайте следующие меры предосторожности. В случае с неазеотропным хладагентом (R410A), утечка газа приводит к изменению состава соединений и ухудшается рабочие характеристики. Поэтому при проведении теста следует принимать меры предосторожности.

баллон, как показано в Fig. 10.3.3. Если баллон снабжен такой трубкой (см. рисунок справа), то заправку можно вести, держа баллон вертикально. Поэтому следует обращать внимание на характеристики баллона. Если блок заправляется газовым хладагентом, необходимо заменить весь хладагент на новый. Не используйте хладагент, оставшийся в баллоне.

[Fig. 10.3.3] (Стр.8)

- | | |
|-------------------|---|
| А Сифонная трубка | Б В случае с R410A баллон не имеет сифонной трубки. |
|-------------------|---|

10.4. Термоизоляция труб хладагента

В обязательном порядке снабдите трубы хладагента изоляцией (раздельно газовые и жидкостные) достаточным количеством термостойкого полиэтилена таким образом, чтобы отсутствовали зазоры между внутренним блоком и изоляцией, а также между самими изоляционными материалами. Недостаточная изоляция может привести к капанию конденсата. Особое внимание уделите изоляции потолочной области.

[Fig. 10.4.1] (Стр.8)

- | | |
|------------------------------|--------------------------------|
| А Стальная проволока | Б Трубопроводы |
| С Битумная мастика или битум | Д Термоизоляционный материал А |
| Е Внешнее покрытие В | |

Термоизоляционный материал А	Стекловолоконно + Стальная проволока	
Внешнее покрытие В	Клеящий материал + Теплостойкая полиэтиленовая пена + Клейкая лента	
	Внутренний блок	Пластиковая лента
	Пол вокруг блока	Водонепроницаемый брезент + Бронзосодержащий битум
	Наружный блок	Водонепроницаемый брезент + Цинковая пластина + Масляная краска

Примечание:

- Использование полиэтилена в качестве покрытия делает ненужным применение битума.
- Термоизоляция на проводах питания не используется.

[Fig. 10.4.2] (Стр.8)

- | | |
|--------------------------------|--------------------|
| А Трубы для жидких хладагентов | Б Газовые трубы |
| С Электрический провод | Д Отделочная лента |
| Е Изолятор | |

[Fig. 10.4.3] (Стр.8)

Отверстия

[Fig. 10.4.4] (Стр.8)

<A> Внутренняя стена (скрытое)	 Внешняя стена
<C> Внешняя стена (открытое)	<D> Пол (водозащита)
<E> Вал трубы на крыше	
<F> Отверстия в зоне повышенной пожароопасности и граничащей стене	
(A) Хомут	(B) Теплоизоляционный материал
(C) Изоляция	(D) Уплотнительный материал
(E) Ремень	(F) Водонепроницаемый слой
(G) Хомут с фаской	(H) Изоляционный материал
(I) Цементный раствор или иной негорючий материал	
(J) Несгораемый теплоизоляционный материал	

При заполнении полости цементным раствором закройте отверстие металлической пластиной, чтобы исключить попадание изоляционного материала внутрь. В данной части негорючие материалы должны применяться как для изоляции, так и для покрытия. (Не используйте виниловое покрытие.)

- Изоляционные материалы, приобретаемые на месте, должны отвечать следующим требованиям:

	Размер трубы	
	ø6,35 - 25,4 мм	ø28,58 - 41,28 мм
Толщина	Мин. 10 мм	Мин. 15 мм
Термостойкость	Мин. 100°C	

- * Установка труб в местах, подверженных воздействию высоких температур и влажности, например, на верхних этажах зданий, может потребовать применения материалов большей толщины, чем указано выше.
- * Если клиент выдвигает особые требования, убедитесь в том, что они отвечают требованиям, перечисленным выше.

11. Проводка (Для получения информации см. руководство по установке каждого блока и пульта управления.)

11.1. Внимание

- Строго соблюдайте все требования и стандарты государственных организаций, касающиеся электрооборудования, проведения электротехнических работ и предписания электрических компаний.
- Электропроводка пультов управления (далее именуемая как линия передачи данных) должна находиться на расстоянии не менее 5 см от провода питания, чтобы исключить возникновение помех (не используйте для линии передачи сигнала и провода питания единую изоляцию).
- В обязательном порядке заземлите наружный блок надлежащим образом.
- Проводка блока подключения должна иметь запас по длине, поскольку при проведении технического обслуживания иногда возникает необходимость ее перемещения.
- Запрещается подключать провод питания к блоку выводов линии передачи данных. Это приведет к выходу из строя электрических компонентов.
- Для линии передачи сигнала используется двужильный экранированный кабель. Подключение линий передачи данных с помощью единого мультиплексного кабеля приведет к сбоям в работе системы вследствие взаимовлияния сигналов.
- К блоку выводов наружного блока должна подключаться исключительно указанная линия передачи данных. Неправильное подключение вызовет неисправность системы.
- В случае подключения ведущего пульта управления или комплексного подключения различных систем кондиционеров необходимо подключить линию передачи данных между наружными блоками различных систем кондиционеров. Данная линия подключается между блоками выводов центральных пультов (двужильный провод без соблюдения полярности).
- Группа создается автоматически пультом дистанционного управления.

- В случае с линией передачи сигнала "внутренний - внешний" необходимо подсоединить провод заземления к выводу заземления (⌚). В случае с линией передачи сигнала центрального пульта необходимо подсоединить провод заземления к выводу экрана (S) на блоке выводов центрального пульта (TB7). В случае с наружными блоками, у которых штепсель питания CN41 заменен на CN40, напрямую подсоедините вывод экрана (S) к клемме заземления (⌚) в дополнение к указанному выше.
- Надежно закрепите подсоединенные провода в нижней части блока вывода с помощью фиксаторов. Физическое воздействие, приложенное к блоку выводов, может привести к короткому замыканию, нарушению заземления либо возгоранию.

[Fig. 11.2.1] (Стр. 9)

- | | |
|----------------------|--------------------|
| (A) Источник питания | (B) Линия передачи |
| (C) Винт заземления | |

[Fig. 11.2.2] (Стр. 9)

- | | |
|--------------------|-------------------|
| (A) Лямка кабеля | (B) Повод питания |
| (C) Линия передачи | (D) Стойка |

- Установка изоляционной трубы**
 - Сделайте отверстия для прокладки изоляционной трубы в основании и нижней части передней панели.
 - При проведении изоляционной трубы через проделанные отверстия следует удалить заусеницы и защитить трубу с помощью изоляционной ленты.
 - Закройте отверстие изоляционной трубой для исключения проникновения в блок мелких животных.
 - При извлечении проводной трубки из нижней части устройства заделайте отверстие вокруг трубки, чтобы предотвратить попадание воды.

11.2. Панель управления и места подсоединения проводки

① Наружный блок

- Снимите переднюю панель блока управления, открутив четыре винта и слегка нажав на нее сверху. Вытяните панель.
 - Подсоедините линию передачи данных "внутренний блок - наружный блок" к блоку выводов (TB3) линии передачи данных "внутренний блок - наружный блок". Если наружные блоки составляют единую систему, последовательно подключите их выводы TB3 (M1, M2, ⌚). Подсоедините линию передачи данных "внутренний блок - наружный блок" для наружных блоков к выводу TB3 (M1, M2, ⌚) одного из наружных блоков.
 - Подсоедините линии передачи данных центрального пульта (между центральным пультом и наружным блоком другой системы) к блоку выводов центрального пульта (TB7). Если наружные блоки составляют единую систему, последовательно подключите их выводы TB7 (M1, M2, S). (*1)
- *1: Если TB7 наружного блока единой системы не подключен последовательно, подсоедините линию передачи сигнала центрального пульта к TB7 на ОС (*2). Если ОС неисправен или центральный пульт подключался в момент отключения электричества, подсоедините последовательно TB7 на ОС, OS1 и OS2 (В случае если наружный блок, провод питания CN41 которого на пульте управления был заменен на CN40, неисправен или отсутствует питание, централизованное управление не будет выполняться, даже если TB7 подключен последовательно).
- *2 ОС, OS1 и OS2 наружных блоков в единой системе определяются автоматически. Они определяются как ОС, OS1 и OS2 в порядке убывания емкости (Если емкость одинакова, порядок будет устанавливаться в порядке уменьшения номеров).

11.3. Подсоединение кабелей передачи данных

① Типы кабелей передачи данных

- Подсоединение кабелей передачи данных
 - Типы кабелей передачи данных: Экранированный кабель CVVS, SPEVS или MVVS
 - Диаметр кабеля: Более 1,25 мм²
 - Максимальная длины проводки: До 200 метров
 - Максимальная длина линий передачи данных центрального пульта и наружных/внутренних блоков (Максимальная длина через наружные блоки): Максимум 500 м
Максимальная длина проводки между блоком питания линий передачи данных (центрального пульта), всех наружных блоков и центрального пульта системы составляет 200 метров.
- Кабели пульта дистанционного управления

• Контроллер дистанционного управления ME

Тип кабеля	Изолированный двужильный кабель (неэкранированный) CVV
Диаметр кабеля	От 0,3 до 1,25 мм ² (От 0,75 до 1,25 мм ²)*
Заметки	Если длина превышает 10 метров, используйте кабель с теми же характеристиками, что и 1. Подключение кабелей передачи данных.

• Пульт дистанционного управления MA

Тип кабеля	Изолированный двужильный кабель (неэкранированный) CVV
Диаметр кабеля	От 0,3 до 1,25 мм ² (От 0,75 до 1,25 мм ²)*
Заметки	До 200 метров

- * Соединенный с простым пультом дистанционного управления.

② Примеры электропроводки

- Название блока управления, символ и допустимое количество пультов управления.

Название		Код	Допустимое количество соединений
Наружный блок	Основной блок	OC	– (*2)
	Подчиненный блок	OS1, OS2	– (*2)
Внутренний блок	Пульт управления внутреннего блока	IC	От 1 до 32 блоков на 1 OC (*1)
Пульт дистанционного управления	Пульт дистанционного управления (*1)	RC	Максимум 2 блока на группу
Другие	Усилитель сигнала	RP	От 0 до 1 блока на 1 OC (*1)

*1 В зависимости от количества подсоединенных внутренних блоков может понадобиться усилитель сигнала (RP).

*2 OC, OS1 и OS2 внутренних блоков в единой системе определяются автоматически. Они определяются как OC, OS1 и OS2 в порядке уменьшения емкости. (Если емкость одинакова, порядок будет устанавливаться в порядке уменьшения номеров.)

Пример комплексной системы с несколькими наружными блоками (Необходимо экранирование проводки и назначение адресов.)

<Примеры прокладки провода передачи данных>

[Fig. 11.3.1] Пульт дистанционного управления ME (Стр.9)

*1: При неподсоединенном к линии передачи данных блоке обеспечения питания, отсоедините штепсель (CN41) одного наружного блока и подсоедините его к CN40.

*2: Если используется пульт системы, переведите выключатель SW2-1 на всех наружных блоках в положение ON.

[Fig. 11.3.2] Пульт дистанционного управления MA (Стр. 10)

<A> Переключите штепсель с CN41 на CN40

 Выключатель SW2-1: ON

<C> Оставьте штепсель на CN41

(A) Группа 1

(B) Группа 3

(C) Группа 5

(D) Экранированный провод

(E) Пульт дистанционного управления подчиненного блока

() Адрес

[Fig. 11.3.3] Сочетание наружных блоков и усилителя сигнала (Стр. 10)

<Способ подключения и Назначение адресов>

- При создании подсоединения между наружным блоком (OC) и внутренним блоком (IC), а также для всех соединений OC-OC, OC-OS, OS-OS и IC-IC необходимо в обязательном порядке использовать экранированный провод.
- Для соединения выводов M1 и M2, а также клеммы заземления всех наружных блоков (OC) к выводам M1, M2 и S на блоке передачи сигнала внутреннего блока (IC) используйте провод питания ↗ на блоке передачи сигнала (TB3). Для OC и OS, подсоедините TB3 к TB3.
- Подсоедините выводы 1 (M1) и 2 (M2) на блоке выводов провода передачи данных внутреннего блока (IC) с последним адресом с такой же группой блока выводов пульта дистанционного управления (RC).
- Подсоедините выводы M1, M2 и S на блоке выводов центрального пульта управления (TB7) к наружному блоку другого комплекса кондиционеров (OC). Для OC и OS единого комплекса подсоедините TB7 к TB7.
- Если блок питания не установлен на линии передачи сигнала центрального пульта управления, переключите штепсель панели управления с CN41 к CN40 только одного наружного блока системы.
- Подсоедините вывод S блока выводов центрального пульта (TB7) наружного блока (OC) к блоку, к которому в CN40 был подключен штепсель, к клемме заземления ↗ в клеммной коробке.
- Включите кнопку назначения адресов следующим образом.

* Для назначения наружному блоку адреса 100, кнопка назначения адреса должна быть установлена на 50.

Блок	Диапазон	Метод установки
Внутренний блок (Основной)	От 01 до 50	Используйте самый последний адрес в одной группе внутренних блоков.
Внутренний блок (Подчиненный)	От 01 до 50	Используйте адрес, отличный от адреса IC (Основной), из блоков одной группы внутренних блоков. Адрес должен быть следующим после IC (Основной).
Наружный блок (OC, OS)	От 51 до 100	Назначьте наружным блокам единой системы кондиционеров порядковые номера. OC, OS1 и OS2 идентифицируются автоматически. (*1)
ME R/C (Основной)	От 101 до 150	Используйте адрес IC (Основной) той же группы, прибавив к нему 100.
ME R/C (Подчиненный)	От 151 до 200	Используйте адрес IC (Основной) той же группы, прибавив к нему 150.
MA R/C	–	Назначение адреса не нужно (Адрес назначается основным и подчиненным пультам)

- Настройку работы комплекса внутренних блоков выполняет пульт дистанционного управления (RC) после подачи питания.
- При подключении центрального пульта дистанционного управления к системе необходимо перевести все выключатели (SW2-1) панелей управления всех наружных блоков (OC, OS) в положение "ON" (ВКЛ).

*1 OC, OS1 и OS2 внутренних блоков в единой системе определяются автоматически. Они определяются как OC, OS1 и OS2 в порядке убывания емкости (Если емкость одинакова порядок будет устанавливаться в порядке уменьшения номеров).

<Допустимая длина>

① Пульт дистанционного управления ME

- Максимальная длина через наружные блоки: $L_1+L_2+L_3+L_4$ и $L_1+L_2+L_3+L_5$ и $L_1+L_2+L_6 \leq 500$ м (1,25 мм² и более)
- Максимальная длина провода передачи данных: L_1 и L_3+L_4 и L_3+L_5 и L_6 и $L_2+L_6 \leq 200$ м (1,25 мм² и более)
- Длина кабеля пульта дистанционного управления: $l_1, l_2, l_3, l_4 \leq 10$ м (от 0,3 до 1,25 мм²)
Если длина превышает 10 метров, воспользуйтесь экранированным проводом диаметром 1,25 мм².
Длина данного участка (L₈) при расчете максимальной длины и общей длины должна учитываться.

② Пульт дистанционного управления MA

- Максимальная длина через наружный блок (кабель M-NET): $L_1+L_2+L_3+L_4$ и $L_1+L_2+L_6 \leq 500$ м (1,25 мм² и более)
- Максимальная длина кабеля передачи данных (кабель M-NET): L_1 и L_3+L_4 и L_6 и $L_2+L_6 \leq 200$ м (1,25 мм² и более)
- Длина кабеля пульта дистанционного управления: m_1+m_2 и $m_1+m_2+m_3+m_4 \leq 200$ м (от 0,3 до 1,25 мм²)

③ Усилитель сигнала

- Максимальная длина кабеля передачи данных (кабель M-NET): ① $L_1+L_2+L_3+L_5+L_6 \leq 200$ м (1,25 мм²)
② $L_1+L_2+L_3+L_5+L_7 \leq 200$ м (1,25 мм²)
③ $L_1+L_2+L_4 \leq 200$ м (1,25 мм²)
④ $L_6+L_5+L_3+L_4, L_4+L_3+L_5+L_7 \leq 200$ м (1,25 мм²)

- Длина кабеля пульта дистанционного управления: $l_1, l_2 \leq 10$ м (0,3 - 1,25 мм²)
Если длина превышает 10 м, используйте экранированный кабель диаметром 1,25 мм² и измерьте длину этого участка (L₄ и L₇) в рамках измерения общей длины и максимальной длины.

11.4. Подсоединение основной проводки питания и характеристики оборудования

Схема электропроводки (Пример)

[Fig. 11.4.1] (Стр.10)

- (A) Выключатель (выключатели проводки и утечки тока) (B) Реле контроля утечки тока (C) Наружный блок
 (D) Распаячная коробка (E) Внутренний блок

Толщина провода питания, характеристики выключателей и сопротивление системы

	Модель	Минимальная толщина провода (мм ²)			Реле контроля утечки тока	Локальное реле (A)		Реле проводки (NFB) (A)	Максимально допустимое сопротивление системы
		Основной кабель	Распределитель	Заземление		Мощность	Плавкий предохранитель		
Наружный блок	PUHY-(E)P200YJM	4,0	-	4,0	30 A 100 mA 0,1c и менее	25	25	30	*1
	PUHY-(E)P250YJM	4,0	-	4,0	30 A 100 mA 0,1c и менее	32	32	30	*1
	PUHY-(E)P300YJM	4,0	-	4,0	30 A 100 mA 0,1c и менее	32	32	30	*1
	PUHY-P350YJM	6,0	-	6,0	40 A 100 mA 0,1c и менее	40	40	40	0,27 Ω
	PUHY-P400YJM	10,0	-	10,0	60 A 100 mA 0,1c и менее	63	63	60	0,22 Ω
	PUHY-P450YJM	10,0	-	10,0	60 A 100 mA 0,1c и менее	63	63	60	0,19 Ω
Рабочий ток внутреннего блока	F0=20A и менее *2	1,5	1,5	1,5	Токовая чувствительность 20 A *3	20	20	20	(соотв. IEC61000-3-3)
	F0=30A и менее *2	2,5	2,5	2,5	Токовая чувствительность 30 A *3	30	30	30	(соотв. IEC61000-3-3)
	F0=40A и менее *2	4,0	4,0	4,0	Токовая чувствительность 40 A *3	40	40	40	(соотв. IEC61000-3-3)

*1: Отвечает стандарту IEC61000-3-3

*2: в качестве значения для F0 выберите самое крупное значение из F1 и F2.

F1 = общий максимальный рабочий ток внутренних устройств x 1,2

$$F2 = \boxed{V1 \times \text{количество типа A}} + \boxed{V1 \times \text{количество типа B}} + \boxed{V1 \times \text{количество прочего}}$$

Внутренний блок		V1
Тип A	PLFY-VBM, PMFY-VBM, PEFY-VMS, PCFY-VKM, PKFY-VHM, PKFY-VKM, PFFY-VKM, PFFY-VLRMM	1,6
Тип B	PEFY-VMA	3,2
Прочее	Другое внутреннее устройство	0

*3: токовая чувствительность вычисляется при помощи следующей формулы.

$$G1 = \boxed{V2 \times \text{количество типа 1}} + \boxed{V2 \times \text{количество типа 2}} + \boxed{V2 \times \text{количество прочего}} + \boxed{V3 \times \text{длина провода [км]}}$$

G1	Токовая чувствительность
30 mA и менее	30 mA 0,1c и менее
100 mA и менее	100 mA 0,1c и менее

Внутренний блок		V2
Тип 1	PLFY-VBM, PMFY-VBM, PEFY-VMS, PCFY-VKM, PKFY-VHM, PKFY-VKM, PFFY-VKM, PFFY-VLRMM	2,4
Тип 2	PEFY-VMA	1,6
Прочее	Другое внутреннее устройство	0

Толщина провода	V3
1,5 мм ²	48
2,5 мм ²	56
4,0 мм ²	66

1. Используйте раздельное питание для внешнего и внутреннего блоков. Убедитесь в том, что ОС и OS снабжены раздельной проводкой.
2. Учитывайте внешние факторы (температура наружного воздуха, наличие прямого солнечного света, дождевая вода) при выполнении проводки и соединений.
3. Приведенный размер провода отражает минимальное значение для проводки в металлической изоляции. При падении напряжения следует использовать провод на один размер толще в диаметре. Убедитесь, что падение напряжения не превышает 10%.
4. В некоторых регионах могут быть специальные требования к проводке.
5. Провода питания устройств, предназначенных для использования вне помещений, не должны быть легче гибкого провода с полихлорпропеновой изоляцией (тип 245 IEC57).
6. Установщик кондиционера должен использовать реле, расстояние между контактами которого должно составлять не менее 3 мм.

⚠ Предупреждение:

- Используйте рекомендованные типы проводов и не подвергайте выводы проводов воздействию внешних сил. ненадежное подсоединение может стать причиной перегрева или возгорания.
- Используйте реле защиты от скачков напряжения надлежащего типа. Помните, что при перегрузке напряжения может присутствовать и постоянный ток.

⚠ Внимание:

- В некоторых случаях может потребоваться установка на инвертере реле контроля утечки на землю. Если такое реле не установлено, существует опасность поражения электрическим током.
- Используйте реле и плавкие предохранители рекомендованного номинального тока. Использование реле и предохранителей большего номинального тока может привести к выходу изделия из строя или возгоранию.

Примечание:

- Данное изделие подлежит подключению к электросети, сопротивление которой на блоке питания не превышает значения, указанного в таблице выше.
- Пользователь обязан проследить за выполнением данного условия. При необходимости пользователь обязан запросить данные по сопротивлению у компании-поставщика электроэнергии.
- Данное оборудование соответствует стандарту IEC 61000-3-12 при условии, что мощность при коротком замыкании S_{sc} выше или равна S_{sc} (*2) на стыковочном устройстве между изделием и электросетью. Ответственность по обеспечению соответствия электропитания данным требованиям (мощность короткого замыкания S_{sc} выше или равна S_{sc} (*2)) лежит на пользователе (при необходимости пользователь обязан проконсультироваться со специалистами компании-поставщика электроэнергии).

S_{sc} (*2)

Модель	S _{sc} (MVA)
PUHY-(E)P200YJM	1,24
PUHY-P250YJM	1,41
PUHY-EP250YJM	1,27
PUHY-P300YJM	1,70
PUHY-EP300YJM	1,51
PUHY-P350YJM	2,08
PUHY-P400YJM	2,48
PUHY-P450YJM	2,92

12. Тестовый запуск

12.1. Следующие явления не являются признаками неисправностей.

Явление	Дисплей пульта дистанционного управления	Причина
Внутренний блок не охлаждает (не обогревает).	Мигает сообщение "Охлаждение (обогрев)"	Если какой-либо другой внутренний блок работает в режиме обогрева (охлаждение), то работа другого блока в режиме охлаждения (обогрев) невозможна.
Автоматические жалюзи пришли в движение и начинают подавать воздух горизонтально.	Обычный дисплей	Если в течение часа воздух подавался вниз, то блок может автоматически перейти к подаче воздуха вниз. Во время или сразу после обогрева автоматические жалюзи поворачиваются и в течение короткого периода подают воздух в горизонтальном направлении.
Настройки вентилятора во время обогрева изменяются.	Обычный дисплей	При выключении термостата система начинает работать на минимальной скорости. Превышенный режим будет восстановлен автоматически при включении термостата.
В режиме обогрева останавливается вентилятор.	Режим отопления	Вентилятор останавливается в данном режиме.
Вентилятор не останавливается после выключения.	Отсутствует подсветка	Вентилятор запрограммирован работать в течение минуты для выдувания остатков тепла (только в режиме обогрева).
Не задан режим работы вентилятора при включении питания.	прогрев	После включения кондиционера работа на минимальной скорости в течение 5 минут или до тех пор, пока трубы не прогреются до 35°C, после этого работы на низкой скорости в течение 2 минут, затем включается заданный режим (Регулировка обогрева).
Пульт дистанционного управления внутреннего блока отображает индикатор "H0" или "PLEASE WAIT" в течение пяти минут после включения питания.	Мигает "H0" или "PLEASE WAIT"	Система находится в процессе запуска. Воспользуйтесь пультом после того, как индикаторы "H0" или "PLEASE WAIT" погаснут.
Дренажный насос не останавливается после выключения блока.	Гаснет	После выключения режима охлаждения дренажный насос работает еще три минуты.
Дренажный насос продолжает работать на выключенном блоке.		Блок включает насос в случае, если необходимо дренировать воду, даже если блок остановлен.
При переключении из режима обогрева в режим охлаждения и наоборот блок издает звуки.	Обычный дисплей	Это звук переключения контура охлаждения, он не является признаком неисправности.
Сразу после запуска внутренний блок издает звуки перетекающего хладагента.	Обычный дисплей	Звук исходит от нестабилизированного потока хладагента. Это временное явление, не являющееся неисправностью.
Теплый воздух выходит из блока, который не работает в режиме обогрева.	Обычный дисплей	Это происходит вследствие открывания клапана LEV внутреннего блока для предотвращения сжижения хладагента. Это не является неисправностью.

13. Информация на табличке параметров

Модель	P200YJM-A	P250YJM-A	P300YJM-A	P350YJM-A	P400YJM-A	P450YJM-A
Сочетание блоков	-	-	-	-	-	-
Хладагент (R410A)	6,5 кг	8,0 кг	8,0 кг	11,5 кг	11,5 кг	11,8 кг
Допустимое давление (Па)	Высокое давление: 4,15 МПа, Низкое давление: 2,21 МПа					
Масса без упаковки	190 кг	200 кг	215 кг	250 кг	250 кг	290 кг

Модель	P500YSJM-A		P500YSJM-A1		P550YSJM-A	
Сочетание блоков	P250	P250	P300	P200	P300	P250
Хладагент (R410A)	8,0 кг	8,0 кг	8,0 кг	6,5 кг	8,0 кг	8,0 кг
Допустимое давление (Па)	Высокое давление: 4,15 МПа, Низкое давление: 2,21 МПа					
Масса без упаковки	200 кг	200 кг	215 кг	190 кг	215 кг	200 кг

Модель	P600YSJM-A		P600YSJM-A1		P650YSJM-A	
Сочетание блоков	P350	P250	P300	P300	P350	P300
Хладагент (R410A)	11,5 кг	8,0 кг	8,0 кг	8,0 кг	11,5 кг	8,0 кг
Допустимое давление (Па)	Высокое давление: 4,15 МПа, Низкое давление: 2,21 МПа					
Масса без упаковки	250 кг	200 кг	215 кг	215 кг	250 кг	215 кг

Модель	P700YSJM-A		P700YSJM-A1		P750YSJM-A	
Сочетание блоков	P350	P350	P400	P300	P400	P350
Хладагент (R410A)	11,5 кг	11,5 кг	11,5 кг	8,0 кг	11,5 кг	11,5 кг
Допустимое давление (Па)	Высокое давление: 4,15 МПа, Низкое давление: 2,21 МПа					
Масса без упаковки	250 кг	250 кг	250 кг	215 кг	250 кг	250 кг

Модель	P800YSJM-A		P800YSJM-A1		P850YSJM-A		P900YSJM-A	
Сочетание блоков	P450	P350	P400	P400	P450	P400	P450	P450
Хладагент (R410A)	11,8 кг	11,5 кг	11,5 кг	11,5 кг	11,8 кг	11,5 кг	11,8 кг	11,8 кг
Допустимое давление (Па)	Высокое давление: 4,15 МПа, Низкое давление: 2,21 МПа							
Масса без упаковки	290 кг	250 кг	250 кг	250 кг	290 кг	250 кг	290 кг	290 кг

Модель	P950YSJM-A			P1000YSJM-A		
Сочетание блоков	P400	P300	P250	P400	P300	P300
Хладагент (R410A)	11,5 кг	8,0 кг	8,0 кг	11,5 кг	8,0 кг	8,0 кг
Допустимое давление (Па)	Высокое давление: 4,15 МПа, Низкое давление: 2,21 МПа					
Масса без упаковки	250 кг	215 кг	200 кг	250 кг	215 кг	215 кг

Модель	P1050YSJM-A			P1100YSJM-A		
Сочетание блоков	P400	P350	P300	P400	P350	P350
Хладагент (R410A)	11,5 кг	11,5 кг	8,0 кг	11,5 кг	11,5 кг	11,5 кг
Допустимое давление (Па)	Высокое давление: 4,15 МПа, Низкое давление: 2,21 МПа					
Масса без упаковки	250 кг	250 кг	215 кг	250 кг	250 кг	250 кг

Модель	P1150YSJM-A			P1200YSJM-A		
Сочетание блоков	P450	P350	P350	P450	P400	P350
Хладагент (R410A)	11,8 кг	11,5 кг	11,5 кг	11,8 кг	11,5 кг	11,5 кг
Допустимое давление (Па)	Высокое давление: 4,15 МПа, Низкое давление: 2,21 МПа					
Масса без упаковки	290 кг	250 кг	250 кг	290 кг	250 кг	250 кг

Модель	P1250YSJM-A			EP200YJM-A	EP250YJM-A	EP300YJM-A
Сочетание блоков	P450	P450	P350	-	-	-
Хладагент (R410A)	11,8 кг	11,8 кг	11,5 кг	8,0 кг	11,5 кг	11,8 кг
Допустимое давление (Па)	Высокое давление: 4,15 МПа, Низкое давление: 2,21 МПа					
Масса без упаковки	290 кг	290 кг	250 кг	200 кг	250 кг	290 кг

Модель	EP400YSJM-A		EP450YSJM-A		EP500YSJM-A	
Сочетание блоков	EP200	EP200	EP250	EP200	EP300	EP200
Хладагент (R410A)	8,0 кг	8,0 кг	11,5 кг	8,0 кг	11,8 кг	8,0 кг
Допустимое давление (Па)	Высокое давление: 4,15 МПа, Низкое давление: 2,21 МПа					
Масса без упаковки	200 кг	200 кг	250 кг	200 кг	290 кг	200 кг

Модель	EP500YSJM-A1		EP550YSJM-A		EP600YSJM-A	
Сочетание блоков	EP250	EP250	EP300	EP250	EP300	EP300
Хладагент (R410A)	11,5 кг	11,5 кг	11,8 кг	11,5 кг	11,8 кг	11,8 кг
Допустимое давление (Па)	Высокое давление: 4,15 МПа, Низкое давление: 2,21 МПа					
Масса без упаковки	250 кг	250 кг	290 кг	250 кг	290 кг	290 кг

Модель	EP650YSJM-A			EP700YSJM-A		
Сочетание блоков	EP250	EP200	EP200	EP300	EP200	EP200
Хладагент (R410A)	11,5 кг	8,0 кг	8,0 кг	11,8 кг	8,0 кг	8,0 кг
Допустимое давление (Па)	Высокое давление: 4,15 МПа, Низкое давление: 2,21 МПа					
Масса без упаковки	250 кг	200 кг	200 кг	290 кг	200 кг	200 кг

Модель	EP700YSJM-A1			EP750YSJM-A		
Сочетание блоков	EP250	EP250	EP200	EP300	EP250	EP200
Хладагент (R410A)	11,5 кг	11,5 кг	8,0 кг	11,8 кг	11,5 кг	8,0 кг
Допустимое давление (Па)	Высокое давление: 4,15 МПа, Низкое давление: 2,21 МПа					
Масса без упаковки	250 кг	250 кг	200 кг	290 кг	250 кг	200 кг

Модель	EP750YSJM-A1			EP800YSJM-A		
Сочетание блоков	EP250	EP250	EP250	EP300	EP300	EP200
Хладагент (R410A)	11,5 кг	11,5 кг	11,5 кг	11,8 кг	11,8 кг	8,0 кг
Допустимое давление (Па)	Высокое давление: 4,15 МПа, Низкое давление: 2,21 МПа					
Масса без упаковки	250 кг	250 кг	250 кг	290 кг	290 кг	200 кг

Модель	EP800YSJM-A1			EP850YSJM-A		
Сочетание блоков	EP300	EP250	EP250	EP300	EP300	EP250
Хладагент (R410A)	11,8 кг	11,5 кг	11,5 кг	11,8 кг	11,8 кг	11,5 кг
Допустимое давление (Па)	Высокое давление: 4,15 МПа, Низкое давление: 2,21 МПа					
Масса без упаковки	290 кг	250 кг	250 кг	290 кг	290 кг	250 кг

Модель	EP900YSJM-A		
Сочетание блоков	EP300	EP300	EP300
Хладагент (R410A)	11,8 кг	11,8 кг	11,8 кг
Допустимое давление (Па)	Высокое давление: 4,15 МПа, Низкое давление: 2,21 МПа		
Масса без упаковки	290 кг	290 кг	290 кг

ПРОИЗВОДИТЕЛЬ: MITSUBISHI ELECTRIC CORPORATION

AIR-CONDITIONING & REFRIGERATION SYSTEMS WORKS 5-66, TEBIRA, 6-CHOME, WAKAYAMA CITY, JAPAN

This product is designed and intended for use in the residential,
commercial and light-industrial environment.

The product at hand is
based on the following
EU regulations:

- Low Voltage Directive 2006/95/EC
- Electromagnetic Compatibility Directive
2004/108/EC
- Pressure Equipment Directive 97/23/EC
- Machinery Directive 2006/42/EC

Please be sure to put the contact address/telephone number on
this manual before handing it to the customer.



HEAD OFFICE: TOKYO BLDG., 2-7-3, MARUNOUCHI, CHIYODA-KU, TOKYO 100-8310, JAPAN
Authorized representative in EU: MITSUBISHI ELECTRIC EUROPE B.V.

HARMAN HOUSE, 1 GEORGE STREET, UXBRIDGE, MIDDLESEX UB8 1QQ, U.K.